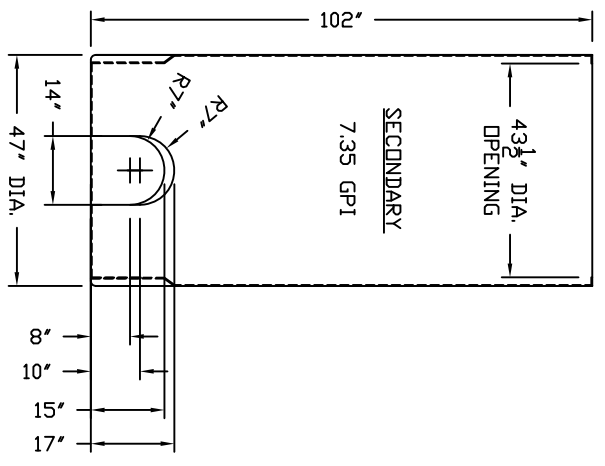
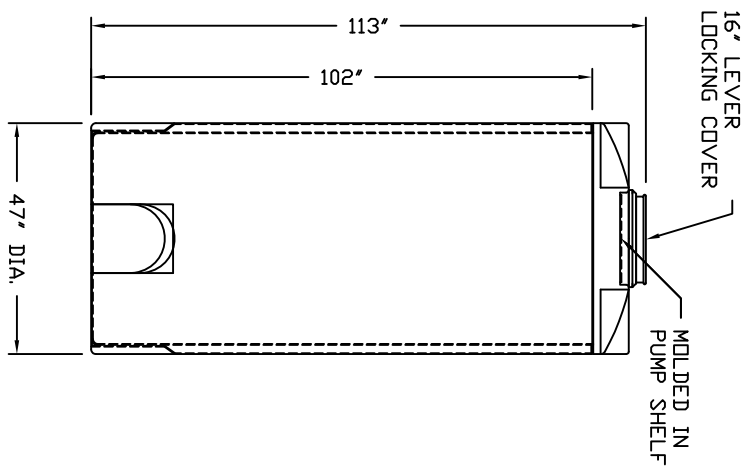
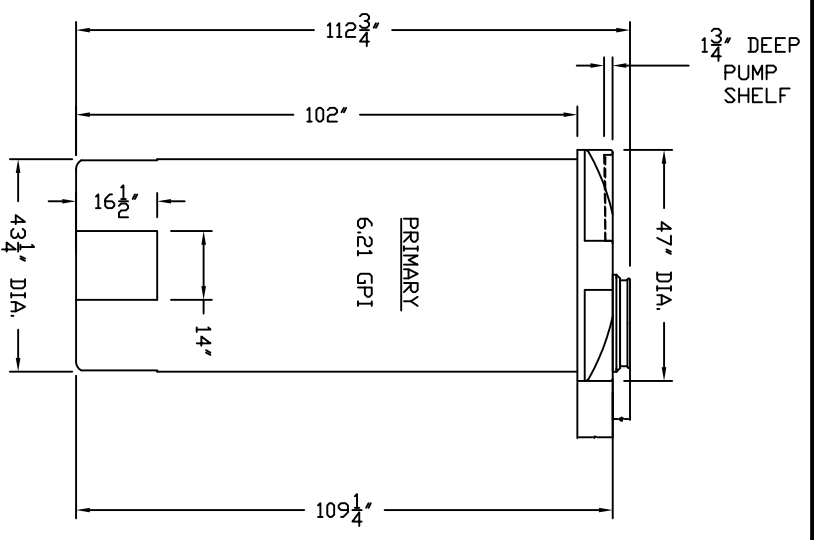
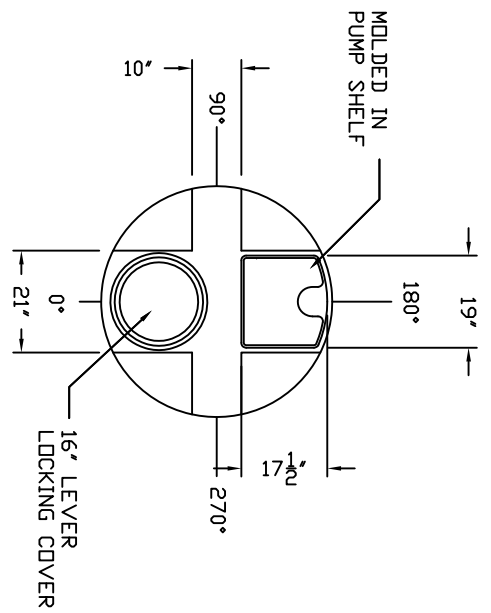


ACCESSORIES					
MK	SIZE	DESCRIPTION	DEG	ELEV	DOME



NOTES:
 1 PRIMARY:
 LOWER FITTING FLATS 14" WIDE X 16 1/2" TALL (4PLACES)

2 SECONDARY:
 LOWER FITTING FLATS 14" WIDE X 17" TALL (4PLACES)

NOTES:
 1 PRIMARY:
 CALCULATED GALLONS PER INCH: 6.21 GPI
 CALCULATED GALLONS IN BODY: 633.42 GALLONS

2 SECONDARY:
 CALCULATED GALLONS PER INCH: 7.35 GPI
 CALCULATED GALLONS IN BASIN: 749.70 GALLONS

NOTES:
 1 LOCATE FITTINGS FROM PLAN VIEW.
 2 TANK(S) MUST BE INSTALLED PER ASSMANN CORPORATION USAGE & GUIDELINES.
 3 FLEXIBLE EXPANSION JOINTS MUST BE USED ON ALL SIDEWALL CONNECTIONS.
 4 TANKS ARE BUILT PER ASTM D 1998.
 5 TANK SHOWN WITH 16" LEVERLOCKING COVER 7" THREADED CAP OPTIONAL

REV	REVISION DESCRIPTION	REV DATE

	300 N TAYLOR ROAD GARRETT IN 46738 PHONE: (260) 357-3181 FAX: (260) 357-3738	SALES ORDER
	PRIMARY VESSEL SPECIFIC GRAVITY - TANK WEIGHT - LBS. RESIN USED - POLYETHYLENE TANK COLOR -	SECONDARY VESSEL SPECIFIC GRAVITY - TANK WEIGHT - LBS. RESIN USED - POLYETHYLENE TANK COLOR -
TITLE: IMT 625 GALLON DOUBLE WALL STORAGE TANK ALL DIMENSIONS ARE IN INCHES AND ARE ±3%		
DRAWN BY: SROVLISDN DWG NUMBER: IMT 625 REV: 4/9/15		REV: