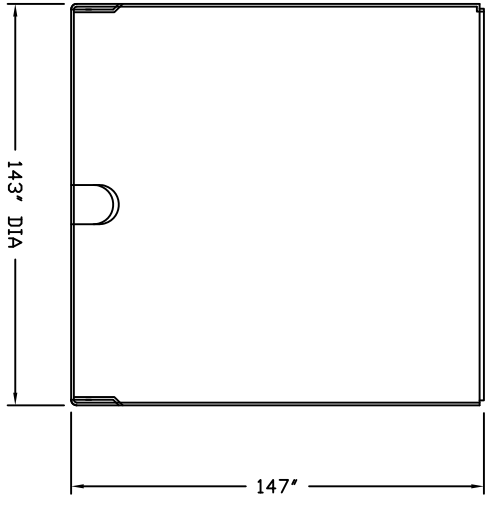
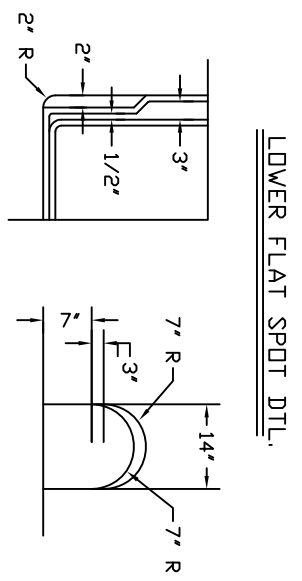
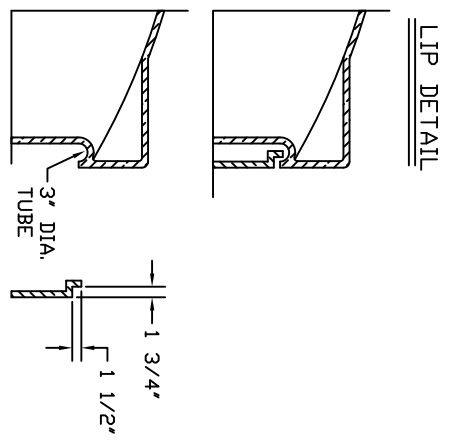


PROPOSAL DRAWING
FINAL DESIGN MAY VARY SLIGHTLY



ACCESSORIES		DEG	ELEV	DOME
MK	SIZE			
	DESCRIPTION			



- NOTES:
- 1 LOCATE FITTINGS FROM PLAN VIEW.
 - 2 TANK(S) MUST BE INSTALLED PER ASSMANN CORPORATION USAGE & GUIDELINES.
 - 3 FLEXIBLE EXPANSION JOINTS MUST BE USED
 - ON ALL SIDEWALL CONNECTIONS.
 - 4 TANKS ARE BUILT PER ASTM D 1998.

- NOTES:
- 1 24" MANWAY WITH HINGED COVER
 - 2 LOWER FLAT SPOT (4 PLACES)
 - 3 18" X 18" DOME FLAT SPOTS (3 PLACES)
 - 4 MANWAY FLAT
 - 5 ALIGNMENT / LIFTING LUG ASSEMBLY (8 PLACES)

REV	REVISION DESCRIPTION	REV DATE

		300 N TAYLOR ROAD GARRETT, IN 46738 PHONE: (260) 357-3181 FAX: (260) 357-3738	
PRIMARY VESSEL RESIN USED: POLYETHYLENE SPECIFIC GRAVITY: TANK WEIGHT: TANK COLOR: TITLE: IMT 8850 GAL. DOUBLE WALL STORAGE TANK	SP.G. MAX: LBS.: RESIN USED: POLYETHYLENE	SECONDARY VESSEL SPECIFIC GRAVITY: TANK WEIGHT: TANK COLOR: TITLE: IMT 8850 GAL. DOUBLE WALL STORAGE TANK	OVERALL: SPECIFIC GRAVITY: TANK WEIGHT: TANK COLOR: DVG NUMBER: IMT8850

ALL DIMENSIONS ARE IN INCHES AND ARE ±.3%