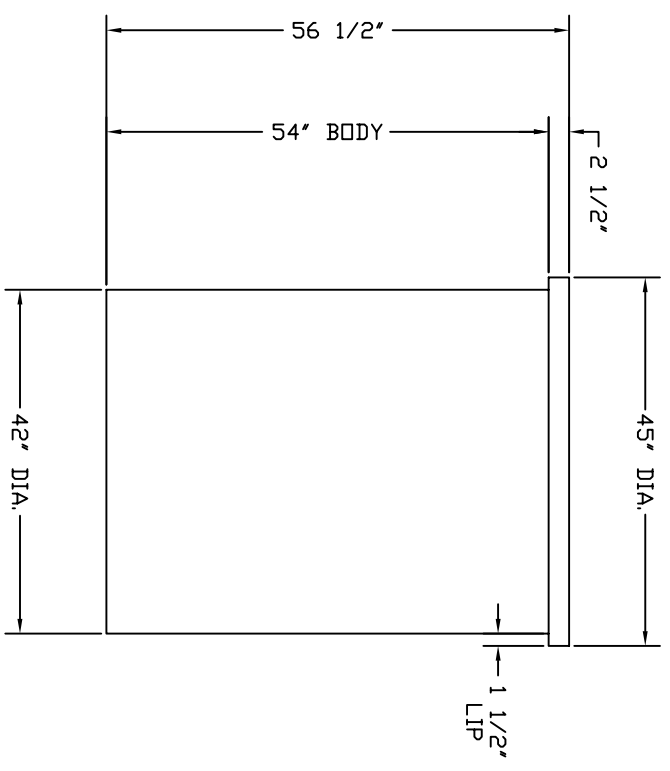
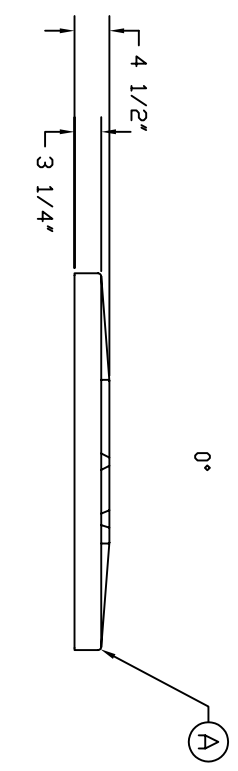
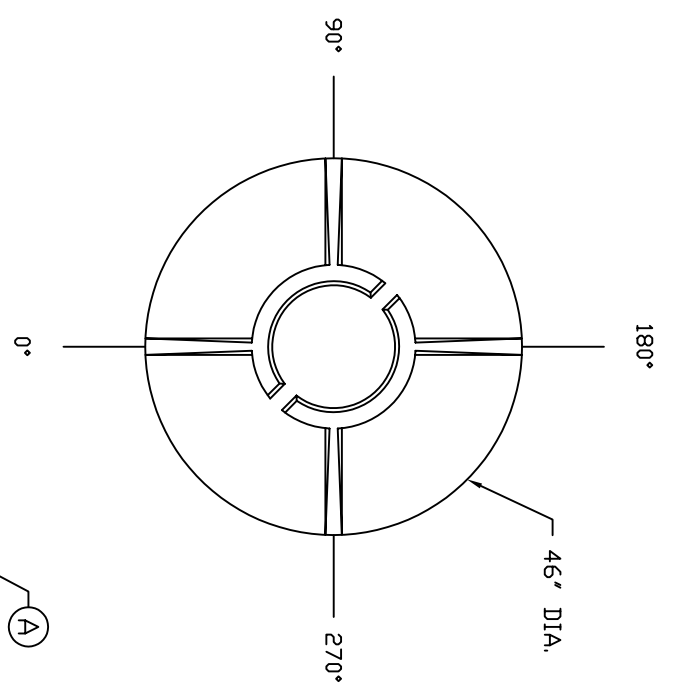


ACCESSORIES					
MK	SIZE	DESCRIPTION	DEG	ELEV	DOME
A	-	OPEN TOP COVER	-	-	X



- NOTES:
- 1 LOCATE FITTINGS FROM PLAN VIEW.
  - 2 TANK(S) MUST BE INSTALLED PER ASSMANN CORPORATION USAGE & GUIDELINES.
  - 3 FLEXIBLE EXPANSION JOINTS MUST BE USED ON ALL SIDEWALL CONNECTIONS.
  - 4 TANKS ARE BUILT PER ASTM D 1998.

REV	REVISION DESCRIPTION	REV DATE

 ASSMANN CORPORATION	300 N TAYLOR ROAD GARRETT, IN 46728 PHONE: (260) 337-3181 FAX: (260) 337-3738	RESIN USED: EXXON ESCORENE LINER: POLYETHYLENE
	TITLE: IOT 300 GAL. OPEN TOP VERTICAL STORAGE TANK DRAWN BY: S ROWLISON DESIGN DATE: 5/13/03 ASSMANN CORPORATION	TANK WEIGHT: 65 LBS. TANK ORDER: NATURAL SPECIFIC GRAVITY: 1.9 SP.G. MAX

ALL DIMENSIONS ARE IN INCHES AND ARE ±3%