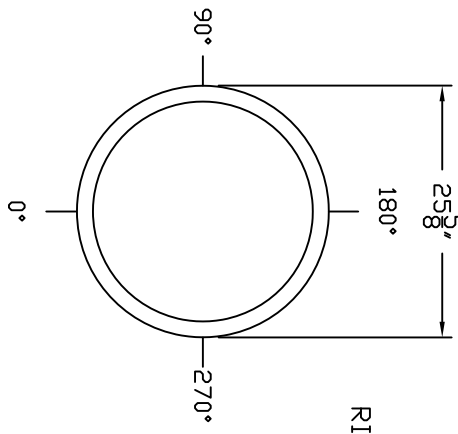
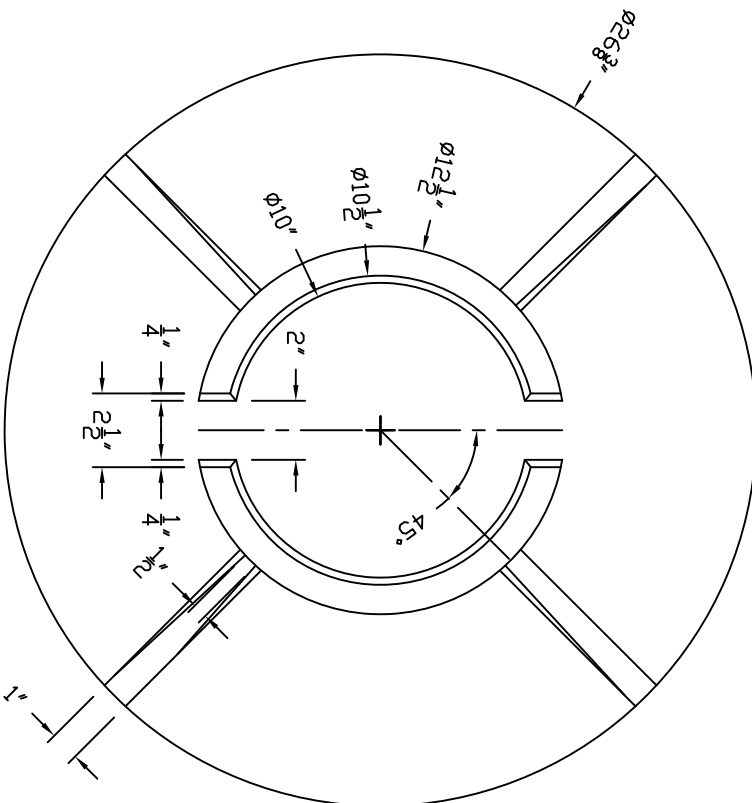
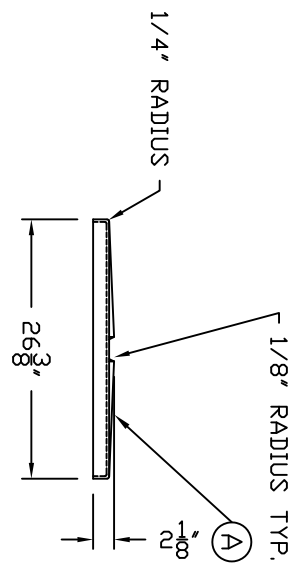
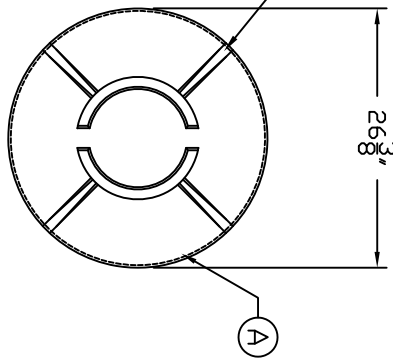


ACCESSORIES			DEG	ELEV	DOME
MK	SIZE	DESCRIPTION			
A	-	OPEN TOP TANK COVER	-	-	X

TANK PLAN

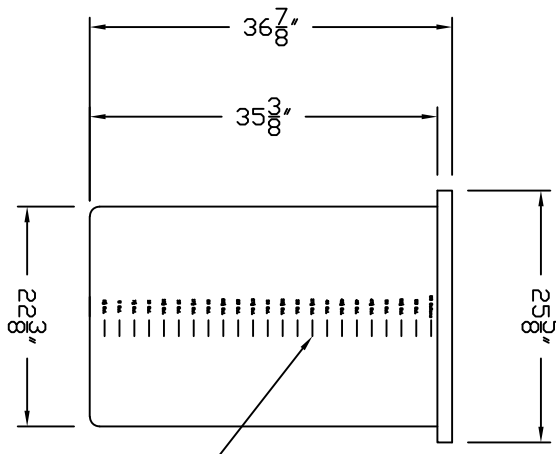


LID PLAN



STIFFENER RIB DETAILS

MOLDED IN GRADUATION  
2 1/2 GAL INCREMENTS



REV	REVISION DESCRIPTION	REV DATE

		300 N TAYLOR ROAD GARRETT, IN 46728 PHONE: (260) 357-3181 FAX: (260) 357-3739	
TITLE: 10T 55 GAL. CYLINDRICAL OPEN TOP STORAGE TANK		POLYETHYLENE TANK RESISTED SPECIFIC GRAVITY - SP.G. MAX	
DRAWN BY: SRJ/WLJ/SJN CHECKED BY:		TANK WEIGHT: - LBS. TANK COLOR:	
DATE: 11-10-15 ASSMANN CORPORATION		DWG NUMBER: 10T 55 REV: Ø	

New Model Available June 2016

ALL DIMENSIONS ARE IN INCHES AND ARE ±3%