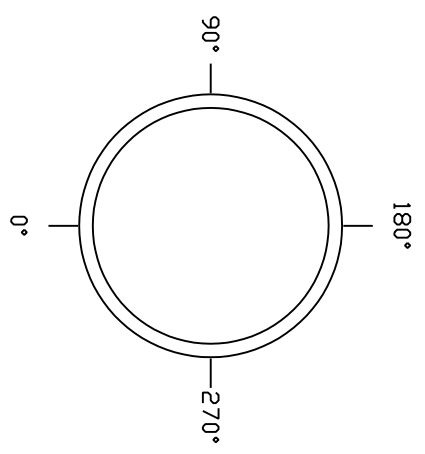


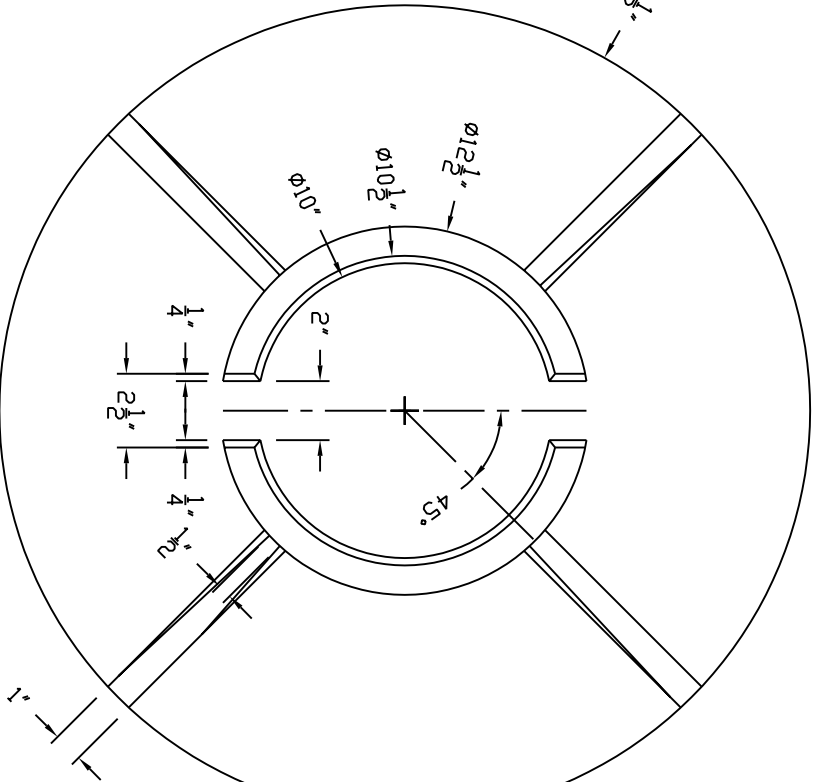
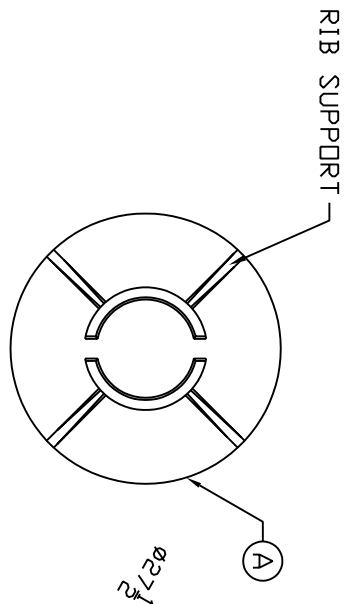
ACCESSORIES

MK	SIZE	DESCRIPTION	DEG	ELEV	DOME
A	-	OPEN TOP TANK COVER	-	-	X

TANK PLAN



LID PLAN



STIFFENER RIB DETAILS

REV	CHANGED SIZE	TANK UPPER LIP	REV DATE
A			9-1-09 SR

**Loamman** CORPORATION OF AMERICA  
 300 N TAYLOR ROAD GARRETT IN 46726  
 PHONE: (260) 337-3181 FAX: (260) 337-3728  
 POLYETHYLENE SP.G. MAX

TITLE: IDT 90 GAL. CYLINDRICAL OPEN TOP STORAGE TANK  
 DRAWN BY: D. MYERS  
 CHECKED BY: ASSMANN CORPORATION  
 DATE: 7/27/09  
 TANK WEIGHT: - LBS.  
 TANK COLOR: -  
 SPECIFIC GRAVITY: -  
 RESIN USED: -  
 POLYETHYLENE  
 SP.G. MAX

NEW MOLD EFFECTIVE 9/1/09

REV	DWG NUMBER	REV
A	IDT 90	A

ALL DIMENSIONS ARE IN INCHES AND ARE ±3%