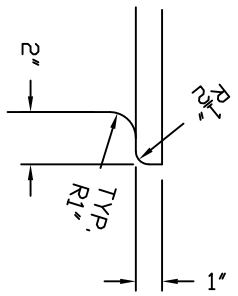
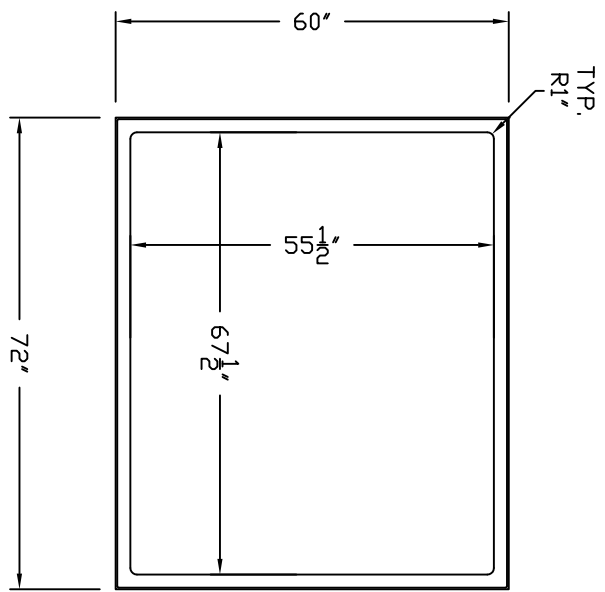
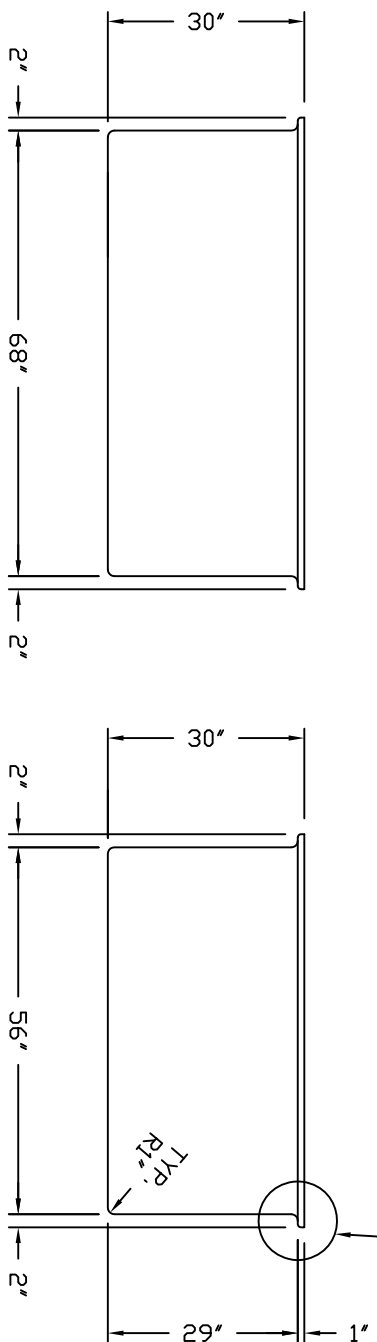


ACCESSORIES

MK	SIZE	DESCRIPTION	DEG	ELEV	DOME



- NOTES:
- 1 LOCATE FITTINGS FROM PLAN VIEW.
 - 2 TANK(S) MUST BE INSTALLED PER ASSMANN CORPORATION USAGE & GUIDELINES.
 - 3 FLEXIBLE EXPANSION JOINTS MUST BE USED ON ALL SIDEWALL CONNECTIONS.
 - 4 TANKS ARE BUILT PER ASTM D 1998.



SEE DETAIL 'A'

REV	REVISION DESCRIPTION	REV DATE

<p>ASSMANN CORPORATION OF AMERICA</p>	<p>300 N TAYLOR ROAD GARRETT, IN 46728 PHONE: (260) 357-3181 FAX: (260) 357-3729</p>	RESIN USED	POLYETHYLENE
		TANK WEIGHT	175 LBS.
TITLE	IRD 440 GALLON RECTANGULAR CONTAINMENT BASIN	TANK ORDER	
DESIGNED BY	SRJ/WLS/JSD	DWG NUMBER	IRD 440
DATE	2/7/13	REV	Ø

ALL DIMENSIONS ARE IN INCHES AND ARE ±3%