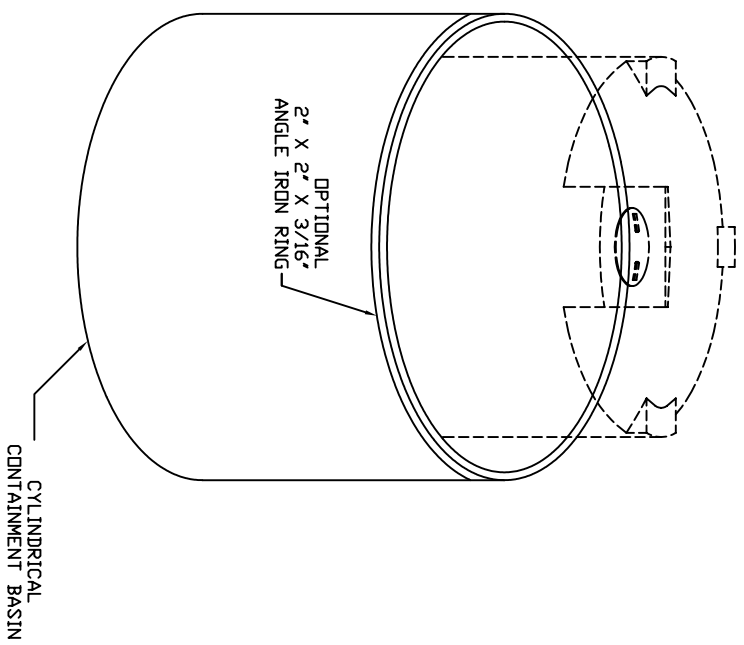


- NOTES:
1. OPTIONAL 2' X 2' ANGLE RING MAY BE PURCHASED FROM 316 SS OR MILD STEEL EPOXY PAINTED
 2. OPTIONAL 2' X 2' ANGLE RING IS ATTACHED BY 1/2" 316 SS BOLTS



DESIGN DATA					
PART #	OUTSIDE DIA.	INSIDE DIA.	HEIGHT	GALLONS	
IRD 1100	86" DIA.	82" DIA.	-- TD 40"	-- TD 982	
IRD 1500	86" DIA.	82" DIA.	40" TD 53"	982 TD 1301	
IRD 2000	86" DIA.	82" DIA.	53" TD 77"	1301 TD 1891	
IRD 2500	86" DIA.	82" DIA.	77" TD 98"	1891 TD 2406	
IRD 3000	90" DIA.	86" DIA.	-- TD 107"	-- TD 2881	
IRD 4000	90" DIA.	86" DIA.	107" TD 144"	2881 TD 3877	
IRD 1850	96" DIA.	92" DIA.	-- TD 58"	-- TD 1760	
IRD 2400	96" DIA.	92" DIA.	58" TD 75"	1760 TD 2277	
IRD 2900	96" DIA.	92" DIA.	75" TD 91"	2277 TD 2762	
IRD 4100	119" DIA.	115" DIA.	-- TD 84"	-- TD 3780	
IRD 4200	96" DIA.	92" DIA.	91" TD 140"	2762 TD 4200	
IRD 5600	96" DIA.	92" DIA.	140" TD 177"	4200 TD 5300	
IRD 5200	105" DIA.	101" DIA.	-- TD 133"	-- TD 4800	
IRD 6500	105" DIA.	101" DIA.	133" TD 172"	4800 TD 6200	
IRD 5500	119" DIA.	115" DIA.	-- TD 116"	-- TD 7800	
IRD 6510	119" DIA.	115" DIA.	116" TD 131"	5400 TD 6100	
IRD 8000	143" DIA.	139" DIA.	-- TD 116"	-- TD 7800	
IRD 10000	143" DIA.	139" DIA.	116" TD 147"	7800 TD 9900	
IRD 12000	143" DIA.	139" DIA.	147" TD 163"	9900 TD 11000	
OUTER SHELL TD DOUBLE WALL TANK					
IRD 550	60" DIA.	54" DIA.	-- TD 58"	-- TD 700	
IRD 1050	72" DIA.	66" DIA.	-- TD 72"	-- TD 1250	
IRD 1550	72" DIA.	66" DIA.	72" TD 108"	1250 TD 1875	
IRD 2300	72" DIA.	66" DIA.	108" TD 136"	1875 TD 2350	
IRD 2550	96" DIA.	88" DIA.	-- TD 100"	-- TD 3050	
IRD 3050	96" DIA.	88" DIA.	100" TD 118"	3050 TD 3600	
IRD 4050	96" DIA.	88" DIA.	118" TD 158"	3600 TD 4825	
IRD 5250	119" DIA.	111" DIA.	-- TD 131"	-- TD 6125	
IRD 6550	119" DIA.	111" DIA.	131" TD 164"	6125 TD 7650	

D	UPDATED TITLE BLOCK	1/30/09 MG
C	UPDATED SIZE RANGES	10/23/03
B	UPDATED SIZE RANGES	5/19/00
A	UPDATED SIZE RANGES	12/6/96
REV	REVISION DESCRIPTION	REV DATE

300 N TAYLOR ROAD
GARRETT, IN 46738
PHONE: (260) 357-3181 FAX: (260) 357-3738

Lawlor
CORPORATION OF AMERICA

IRRAWAY DIV. CRÄGER
6/15/93

TITLE SECONDARY CYLINDRICAL CONTAINMENT BASINS

DWG NUMBER: IRD 001 D

REV