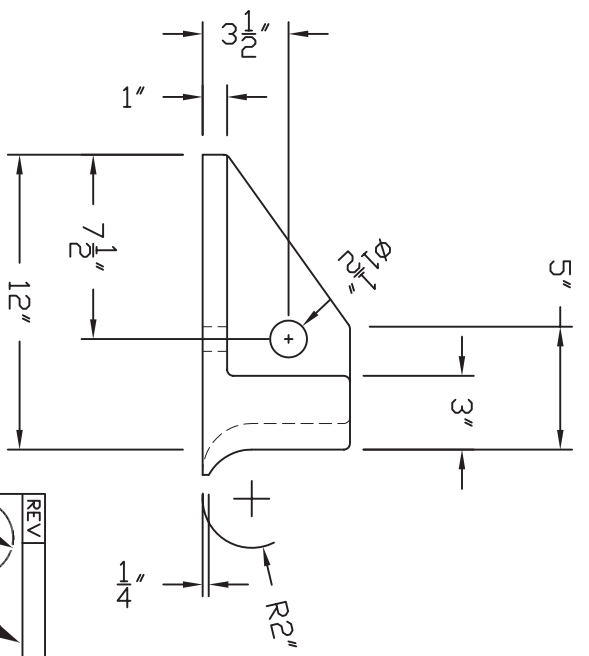
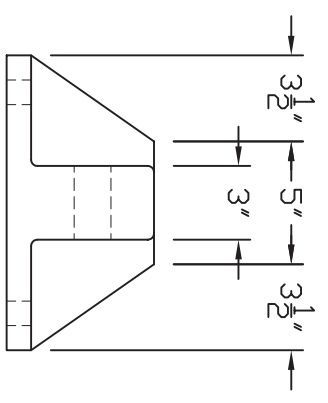


- NOTES:
 1) RESTRAINT CLIPS ARE BLACK POLYETHYLENE.
 2) RESTRAINT CLIPS ARE MOLDED WITH S/S THROUGH HOLE INSERT PIPE
 3) ANCHOR BOLTS ARE NOT SUPPLIED BY ASSMANN



| REV | REVISION DESCRIPTION | REV DATE |
|-----|----------------------|----------|
| | | |

SALES ORDER

Assmann

CORPORATION OF AMERICA

300 N TAYLOR ROAD
 GARRETT, IN 46738
 PHONE: (260) 357-3181
 FAX: (260) 357-3798

TITLE POLYETHYLENE WINDLOAD RESTRAINT
 PAD / CLIP DETAIL DRAWING
 ASSMANN CORPORATION OF AMERICA

BRANN, JR.
 SRDVLISDN
 9/28/10
 DWG NUMBER: WRPE-CLIP
 REV: -