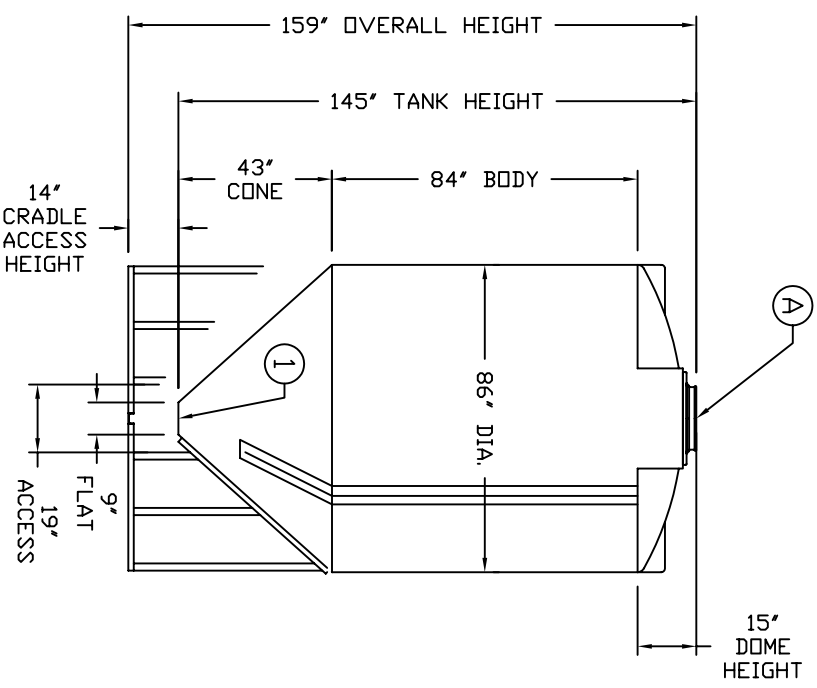
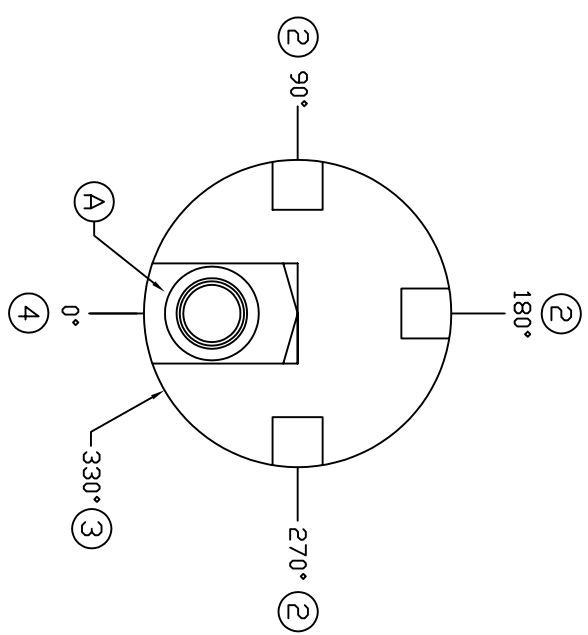


ACCESSORIES					
MK	SIZE	DESCRIPTION	DEG	ELEV	DOME
A	16"	MANWAY W/ LEVER LOCKING COVER	0°	-	X



- NOTES:
1. CONE TIP FLAT 9" DIA.
 2. 14" X 14" DOME FLATS (3 PLACES)
 3. MOLDED IN VOLUME MARKER
 4. 28" X 43" MANWAY FLAT

REV	DESCRIPTION	DATE	REV	DATE
B	UPDATED TITLE BLOCK			12/17/08 MG
A	ADDED 14" X 14" DOME FLATS			2/04/98
REV	REVISION DESCRIPTION		REV	DATE

		300 N TAYLOR ROAD GARRETT, IN 46728 PHONE: (260) 357-9181 FAX: (260) 357-3728	
TITLE ICB 2600 GAL. CONICAL BOTTOM STORAGE TANK		POLYETHYLENE TANK RESIN SPECIFIC GRAVITY - SP.G. MAX	
DRAWN BY D. CRAGER	REVISION DATE 11/21/95	SALES ORDER#	TANK WEIGHT ORDER NATURAL LBS.
ALL DIMENSIONS ARE IN INCHES AND ARE ±3%		DWG NUMBER ICB 2600	REV B