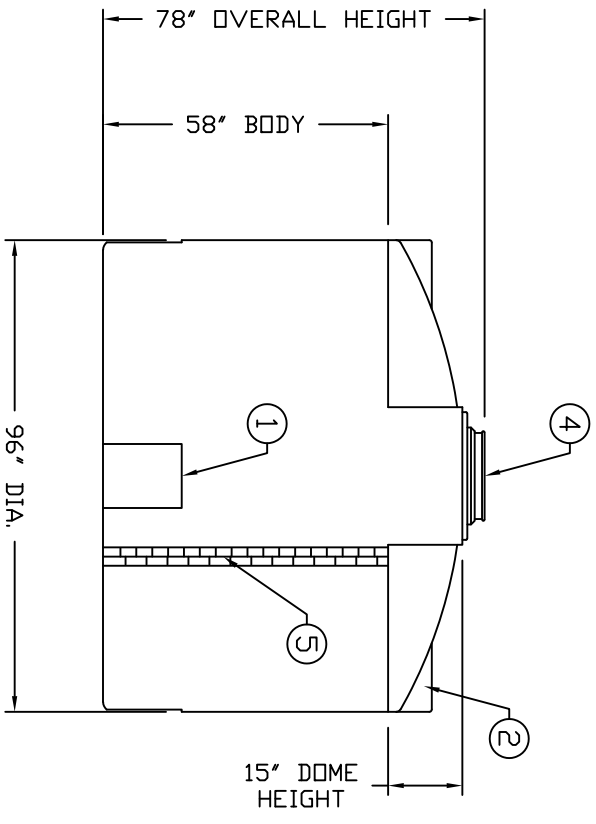
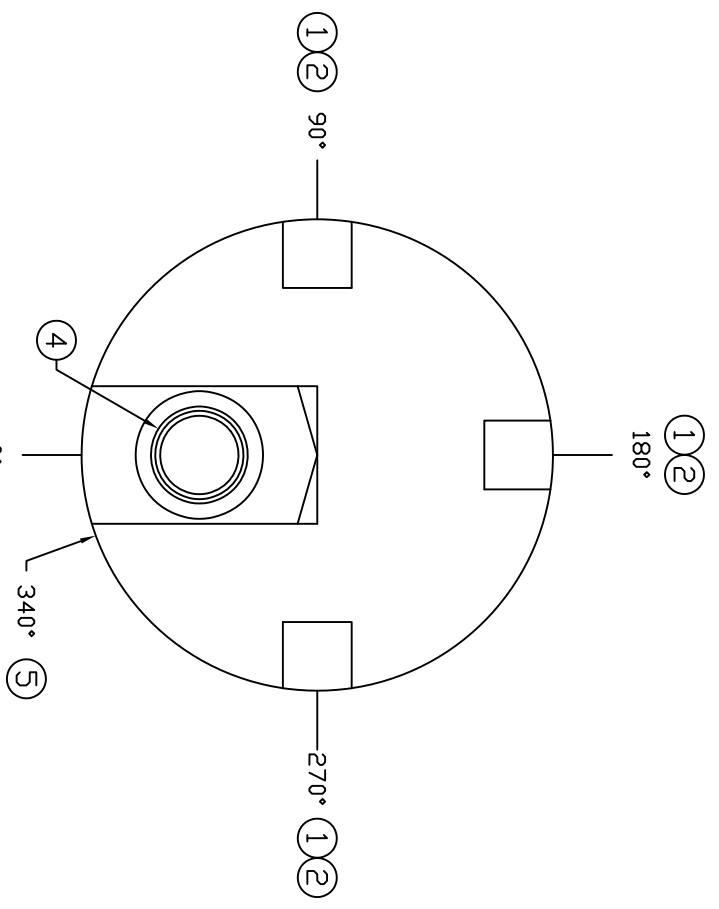



| ACCESSORIES | | |
|-------------|------|-------------|
| MK | SIZE | DESCRIPTION |
| | | DEG |
| | | ELEV |
| | | DOME |



- NOTES:
- 1 13" x 16" LOWER FLATS (4 PLACES)
 - 2 14" x 14" DOME FLATS (3 PLACES)
 - 3 28" x 48" DOME FLAT
 - 4 16" MANWAY W/ LEVER LOCK COVER
 - 5 MOLDED IN VOLUME MARKER (100 GAL. INCREMENT)

| | | |
|--|--|-------------|
| B | REVISED SIZE OF DOME FLATS FROM 10" X 10" TO 14" X 14" | 3/10/17 SR |
| REV | REVISION DESCRIPTION | REV DATE |
|  <p>300 N TAYLOR ROAD GARRETT, IN 46728 PHONE: (260) 357-3181 FAX: (260) 357-3739</p> | | |
| <p>TITLE: ICT 1850 GALLON VERTICAL STORAGE TANK</p> | | |
| DESIGNED BY | ISSUED DATE | SALES ORDER |
| D. CRAIGER | 11/15/95 | |
| ASSMANN CORPORATION | | |
| RESIN USED | TANK DESIGNED | SP.G. MAX |
| | POLYETHYLENE | |
| TANK WEIGHT | SPECIFIC GRAVITY | |
| | | LBS. |
| DWG NUMBER | REV | |
| ICT 1850 | B | |

ALL DIMENSIONS ARE IN INCHES AND ARE ±3%