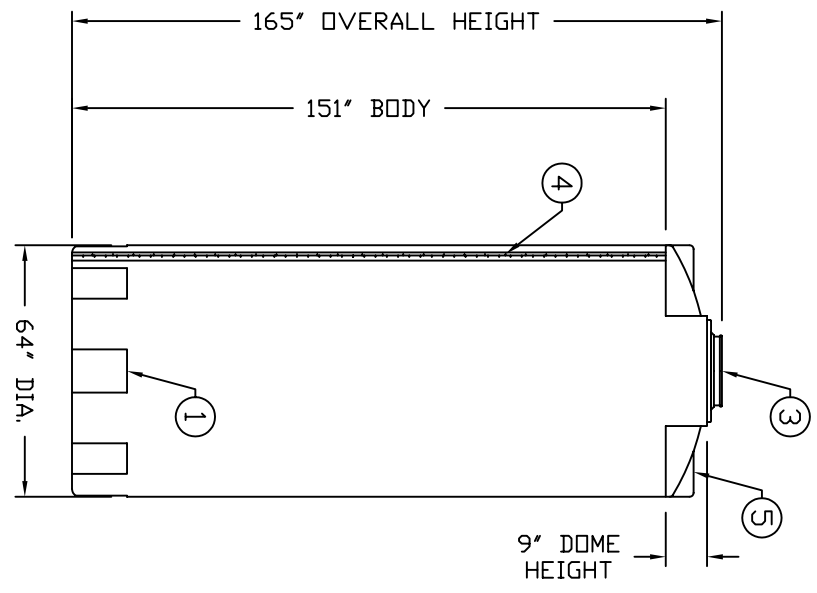
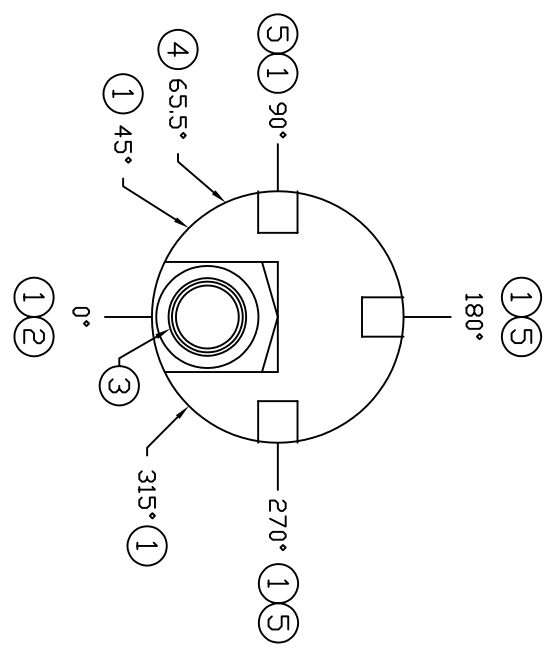


| ACCESSORIES | | | | | |
|-------------|------|-------------|-----|------|------|
| MK | SIZE | DESCRIPTION | DEG | ELEV | DOME |
| | | | | | |
| | | | | | |
| | | | | | |
| | | | | | |
| | | | | | |
| | | | | | |
| | | | | | |
| | | | | | |
| | | | | | |
| | | | | | |
| | | | | | |
| | | | | | |
| | | | | | |
| | | | | | |
| | | | | | |
| | | | | | |
| | | | | | |
| | | | | | |



- NOTES:
 1 11" x 14" LOWER FLATS (6 PLACES)
 2 28" x 32" DOME FLAT
 3 16" MANWAY W/ LEVER LOCK COVER
 4 MOLDED IN VOLUME MARKER (25 GAL. INCREMENTS)
 5 10" x 10" DOME FLATS (3 PLACES)

| REV | REVISION DESCRIPTION | REV DATE |
|-----|--|------------|
| A | 1 ADDED DOME FLATS & NOTE #5 | 8/13/96 |
| B | 1 CORRECTED SIZE OF LOWER FITTING FLATS | 2/13/04 |
| C | 1 CORRECTED TANK GRADUATION 2 REVISED DRAWING TITLE BLOCK | 12/1/05dam |

| | | | | | |
|--|-------------|---------------------|---|-----|--|
| | | | RESIN USED POLYETHYLENE | | |
| ICM CORPORATION OF AMERICA | | | GARRETT, IN 46728 PHONE: (360) 337-9181 FAX: (360) 337-9798 | | |
| TITLE ICT 2050 GALLON VERTICAL STORAGE TANK | | | TANK DESIGNER - TANK WEIGHT - SPECIFIC GRAVITY - SP.G. MAX LBS. | | |
| DESIGNED BY | ISSUED DATE | SALES ENGINEER | DWG NUMBER | REV | |
| D. WILKERS | 11/15/95 | ASSMANN CORPORATION | ICT 2050 | C | |

ALL DIMENSIONS ARE IN INCHES AND ARE ±3%