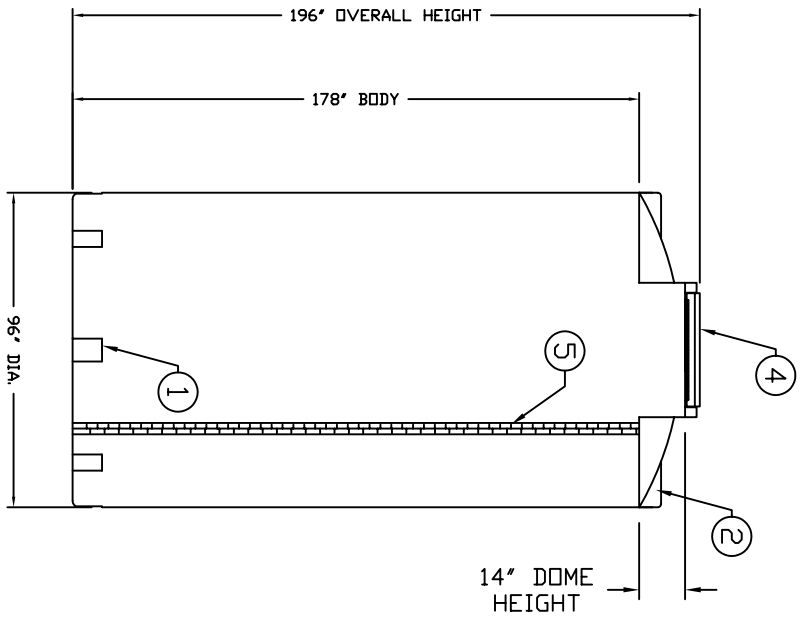
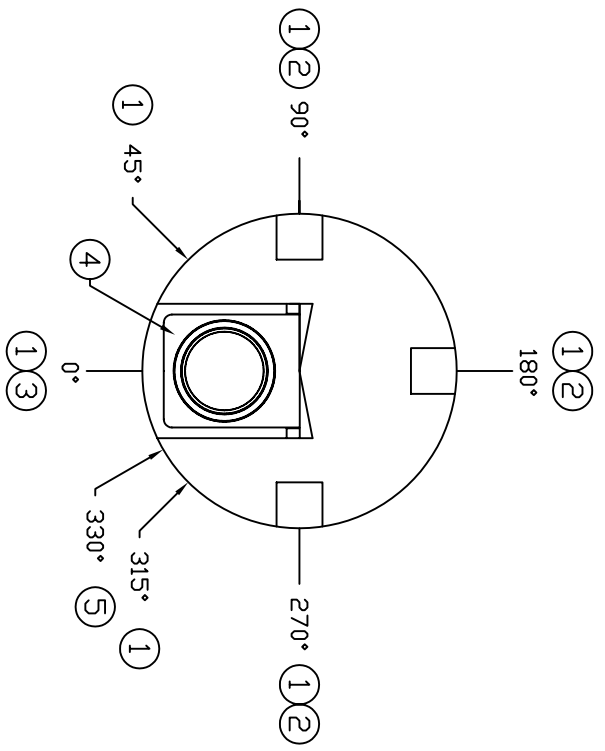



ACCESSORIES

MK	SIZE	DESCRIPTION	DEG	ELEV	DOME



- NOTES:
- 1 7" x 9" LOWER FLATS (6 PLACES)
 - 2 14" x 14" DOME FLATS (3 PLACES)
 - 3 41" x 48" DOME FLAT
 - 4 24" MANWAY w/ HINGED COVER
 - 5 MOLDED IN VOLUME MARKER (100 GAL. INCREMENTS)

REV	REVISION DESCRIPTION	REV DATE
B	CHANGED DOME FLATS TO 14" X 14", EFFECTIVE	6/21/07 SR
A	1 REVISED MOLDED IN GRADUATION 2 REVISED DRAWING TITLE BLOCK	11/16/05dam



Assmann
CORPORATION OF AMERICA

300 N TAYLOR ROAD
GARRETT, IN 46728
PHONE: (860) 387-9181
FAX: (860) 387-9788

TITLE: ICT 5600 GALLON
VERTICAL STORAGE TANK

DESIGNED BY: D. CRAIGER
REVISED DATE: 11/16/95
SALES ENGINEER

TANK WEIGHT: LBS.
TANK CAPACITY: SP.G. MAX
TANK SPECIFIC GRAVITY

RESIN USED: POLYETHYLENE

ASSMANN CORPORATION

DWG NUMBER: ICT 5600

REV: B

ALL DIMENSIONS ARE IN INCHES AND ARE ±3%