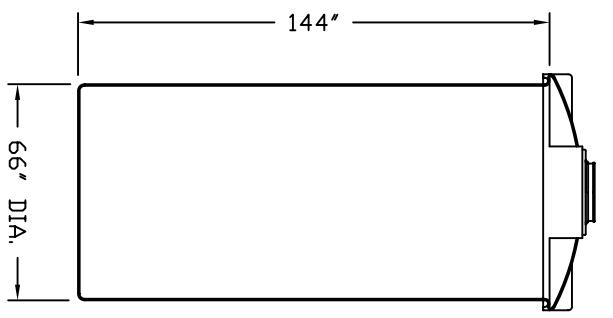
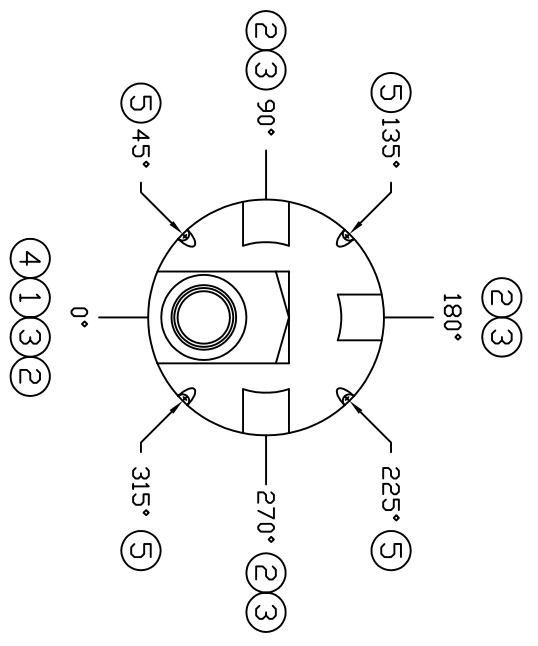
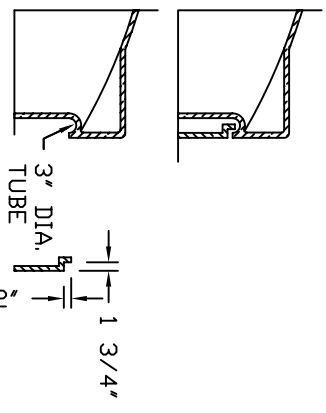


ACCESSORIES

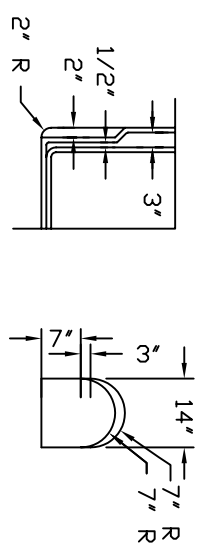
MK	SIZE	DESCRIPTION	DEG	ELEV	DOME



LIP DETAIL



LOWER FLAT SPOT DETAIL



- NOTES:
- 16' MANWAY W/ LEVER LOCK COVER
  - LOWER FITTING FLAT SPOT (TYP. 4 PLACES)
  - 14' x 13' DOME FLAT SPOT (TYP. 3 PLACES)
  - 32' x 56' MANWAY FLAT
  - LIFTING LUG ASSEMBLY (TYP. 4 PLACES)
  - CALCULATED PRIMARY GALLONS PER INCH: 14.33
  - CALCULATED PRIMARY CAPACITY: 2,056 GAL.
  - CALCULATED SECONDARY GALLONS PER INCH: 17.06
  - CALCULATED SECONDARY CAPACITY: 2,423 GAL.

REV	CORRECTED DOME FLAT DIMENSIONS	REVISION DESCRIPTION	REV DATE
A			10/10/12 MG

**Asmann** CORPORATION OF AMERICA

300 N TAYLOR ROAD  
GARRETT, IN 46738  
PHONE: (260) 357-3181  
FAX: (260) 357-3738

SALES ORDER

OVERALL TANK WEIGHT LBS.

PRIMARY VESSEL	SPECIFIC GRAVITY	SP.G. MAX	TANK WEIGHT	LBS.	SECONDARY VESSEL	SPECIFIC GRAVITY	SP.G. MAX	TANK WEIGHT	LBS.
POLYETHYLENE	NATURAL				POLYETHYLENE				

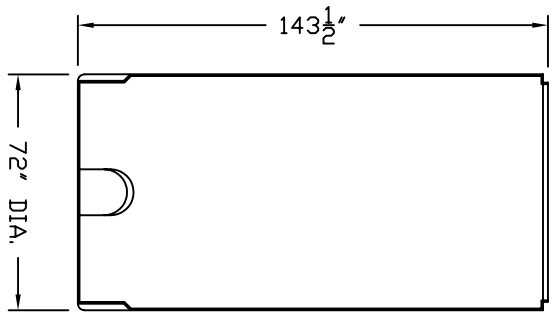
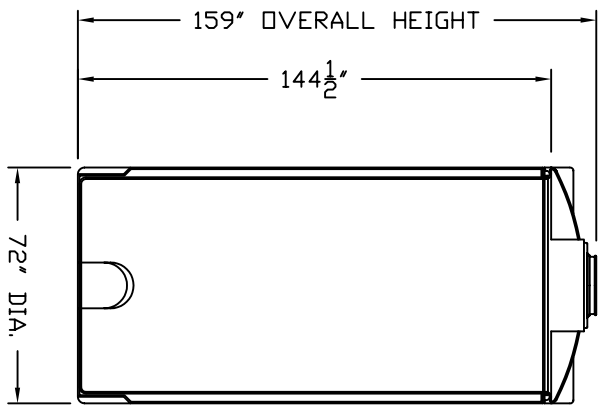
TITLE: IMT 2050 GALLON DOUBLE WALL STORAGE TANK

ASSMANN CORPORATION OF AMERICA

DWG NUMBER: IMT2050

DATE: 12/6/09

REV: A



ALL DIMENSIONS ARE IN INCHES AND ARE ±3%