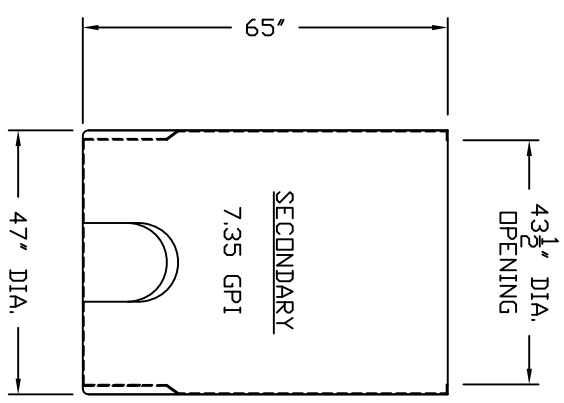
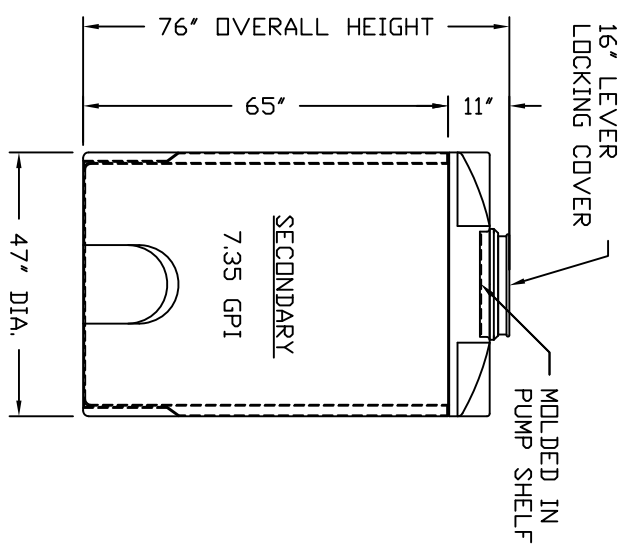
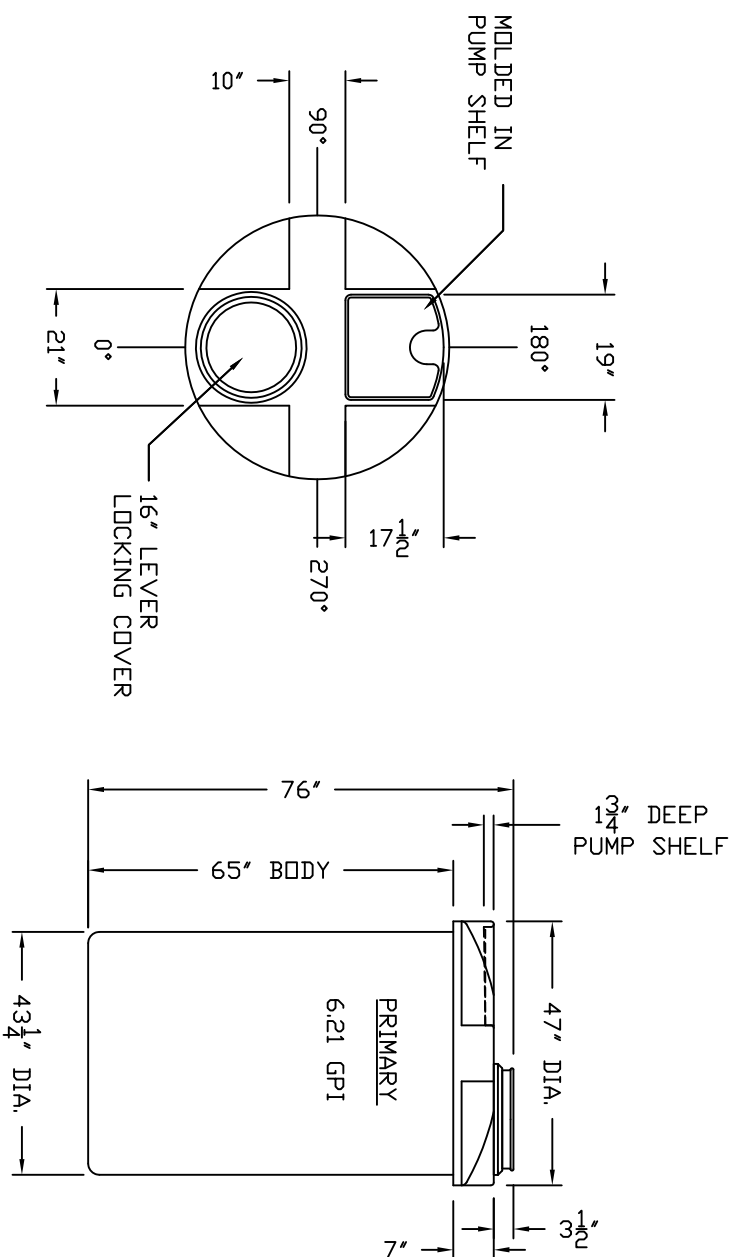


ACCESSORIES		DEG	ELEV	DOME
MK	SIZE	DESCRIPTION		



- NOTES:
- 1 PRIMARY CALCULATED GALLONS PER INCH: 6.21 GPI
 - 2 SECONDARY CALCULATED GALLONS PER INCH: 7.35 GPI
 - 3 CALCULATED GALLONS IN BODY: 403 GALLONS
 - 4 CALCULATED GALLONS IN BASIN: 478 GALLONS

- NOTES:
- 1 LOCATE FITTINGS FROM PLAN VIEW.
 - 2 TANK(S) MUST BE INSTALLED PER ASSMANN CORPORATION USAGE & GUIDELINES.
 - 3 FLEXIBLE EXPANSION JOINTS MUST BE USED ON ALL SIDEWALL CONNECTIONS.
 - 4 TANKS ARE BUILT PER ASTM D 1998.
 - 5 TANK SHOWN WITH 16\"/>

REV	DESCRIPTION	DATE
A	INSERTED A NEW TITLE BLOCK & ROTATED TANK 180°	10/03/08 MG
B	RE-NAMED DRAWING TO IMT 405, DELETED PUMPS FROM DRAWING	10/29/08 SR
C	REVISED BOTTOM FITTING FLATS TO ACTUAL SIZE	10/03/13 MG

Assmann
CORPORATION OF AMERICA

300 N TAYLOR ROAD
GARRETT, IN 46738
PHONE: (260) 357-3181
FAX: (260) 397-9788

SALES ORDER

OVERALL - LBS.
SPECIFIC GRAVITY - SP.G. MAX
RESIN USED - POLYETHYLENE
TANK WEIGHT - LBS.
TANK COLOR -

OVERALL - LBS.
SPECIFIC GRAVITY - SP.G. MAX
RESIN USED - POLYETHYLENE
TANK WEIGHT - LBS.
TANK COLOR -

TITLE: IMT 405 GALLON DOUBLE WALL STORAGE TANK

DWG NUMBER: IMT 405 C

ISSUED BY: D. CRAGER
DATE: 6/21/09

REV: C

ALL DIMENSIONS ARE IN INCHES AND ARE ±3%