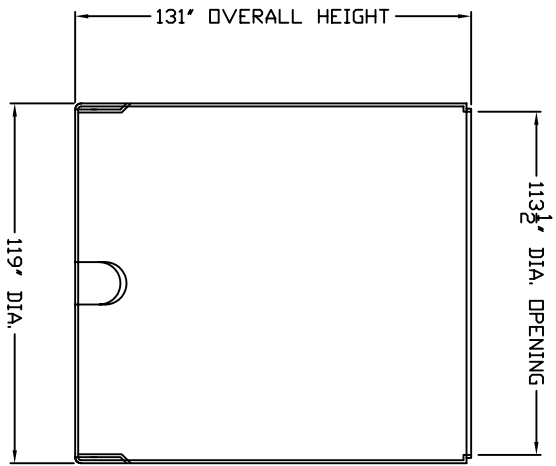
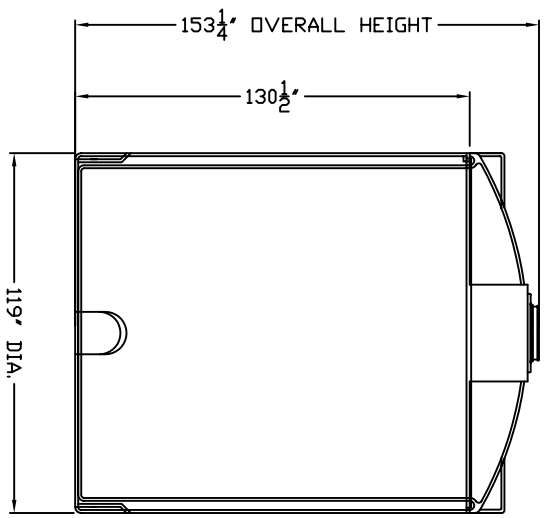
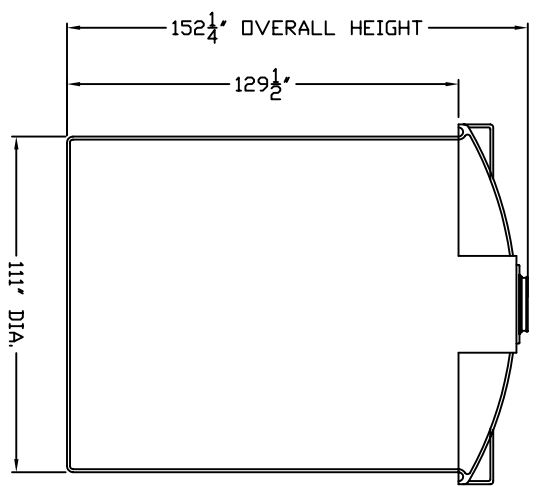
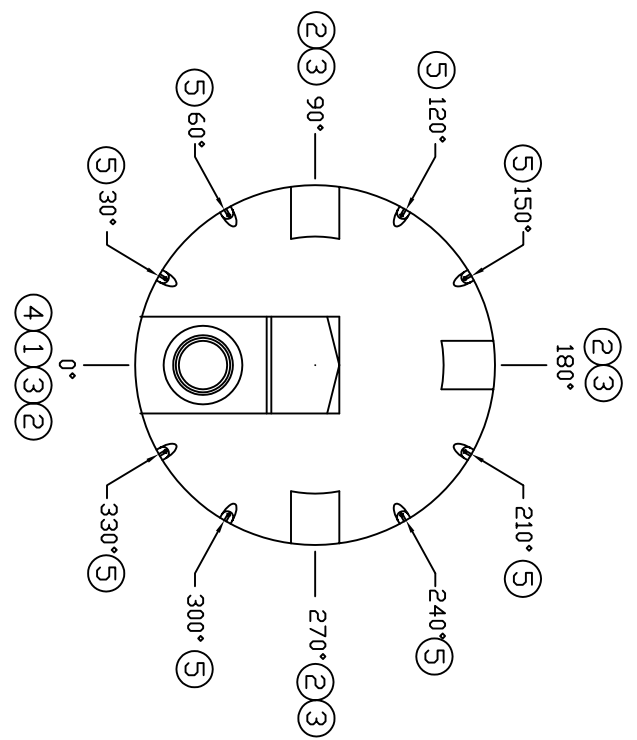
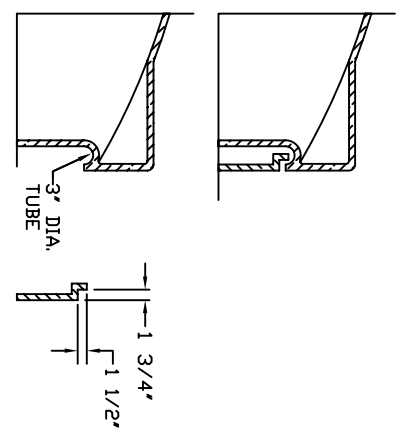


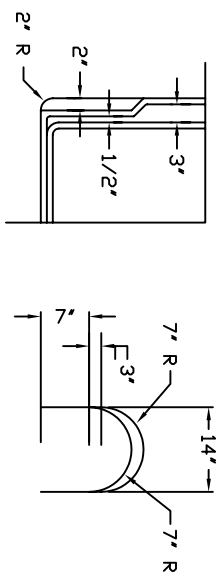
MK	SIZE	DESCRIPTION	DEG	ELEV	DOME
		ACCESSORIES			



LIP DETAIL



LOWER FLAT SPOT DTL.



- NOTES:
- 16" LEVER LOCKING MANWAY
 - LOWER FLAT SPOT (4 PLACES)
 - 16' X 17' DOME FLAT SPOTS (3 PLACES)
 - 32' X 52' MANWAY FLAT
 - LIFTING LUG ASSEMBLY (8 PLACES)

REV	DESCRIPTION	REV DATE
B	CORRECTED DOME FLAT DIMENSIONS	10/10/12 MG
A	INSERTED A NEW TITLE BLOCK	06/12/08 MG
REV	REVISION DESCRIPTION	REV DATE



300 N TAYLOR ROAD
GARRETT, IN 46738
PHONE: (260) 357-3181
FAX: (260) 357-9738

SALES ORDER	OVERALL	SP.G. MAX	WEIGHT
PRIMARY VESSEL	POLYETHYLENE	-	-
SECONDARY VESSEL	POLYETHYLENE	-	-
TANK WEIGHT	TANK COLOR	TANK WEIGHT	TANK COLOR
-	-	-	-
TITLE: IMT 5250		DRAWN BY: D. CRAGER	
DOUBLE WALL STORAGE TANK		DATE: 12/29/97	
ALL DIMENSIONS ARE IN INCHES AND ARE ±3%		DWG NUMBER: IMT 5250	
		REV: B	