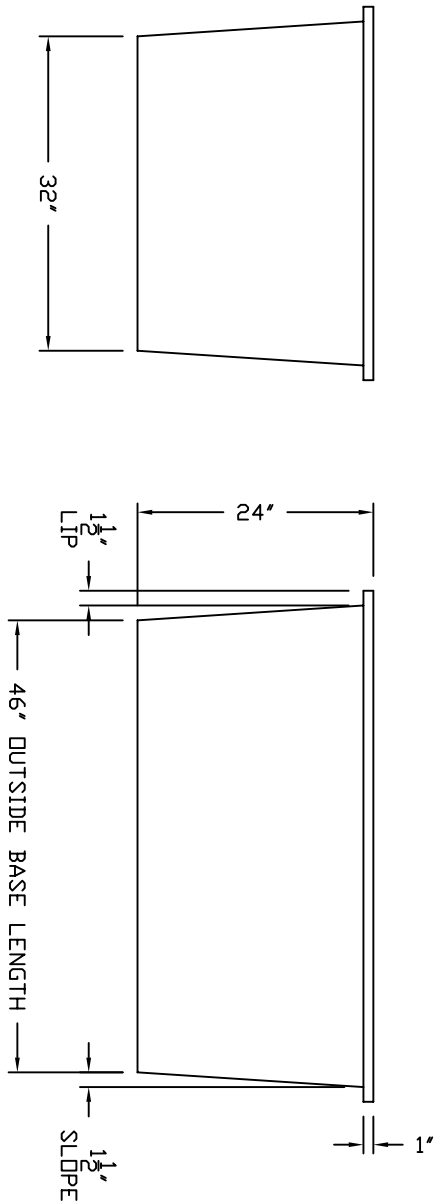
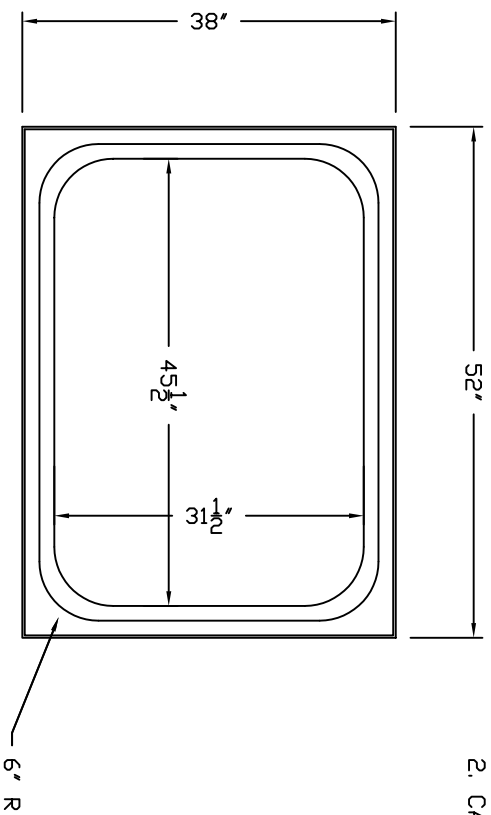



- NOTES:
1. RESIN:
LINEAR MEDIUM DENSITY POLYETHYLENE
 2. CALCULATED CAPACITY:
155 GAL.



REV	A	UPDATED TITLE BLOCK	2/10/09 MG
REV		REVISION DESCRIPTION	REV DATE
		300 N TAYLOR ROAD GARRETT, IN 46738 PHONE: (260) 357-3181 FAX: (260) 357-3738	DRAWN BY: D. CRAIGER DRAWN DATE: 2/23/96
TITLE ASSMANN CORPORATION 140 GAL. CONTAINMENT BASIN		DWG NUMBER:	REV
		IRD 140	A