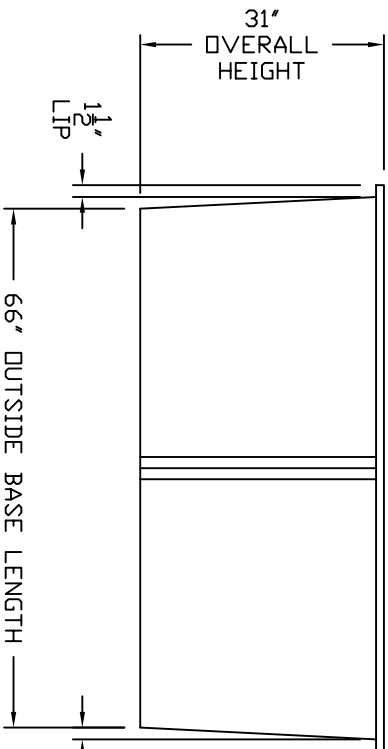
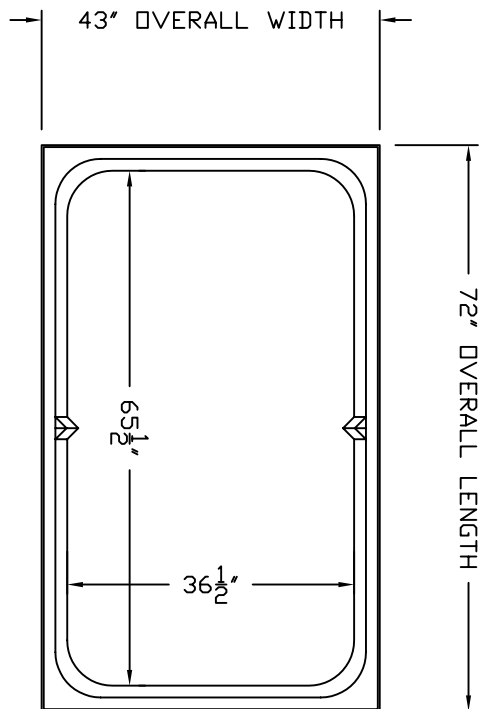
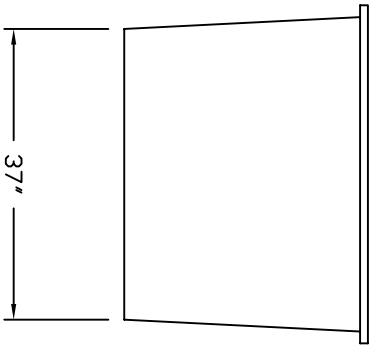
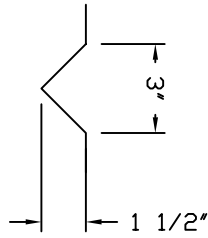


STIFFENER  
RIB  
(2 PLACES)



- NOTES:
1. RESIN: LINEAR MEDIUM DENSITY POLYETHYLENE
  2. CALCULATED CAPACITY: 330 GAL.

REV	DESCRIPTION	DATE
A	UPDATED TITLE BLOCK	2/17/09 MG

	300 N TAYLOR ROAD GARRETT, IN 46738 PHONE: (260) 357-3181 FAX: (260) 357-3738	DWG NUMBER IRD 330
	TITLE ASSMANN CORPORATION 330 GAL. CONTAINMENT BASIN	DRAWN BY D. CRAGER