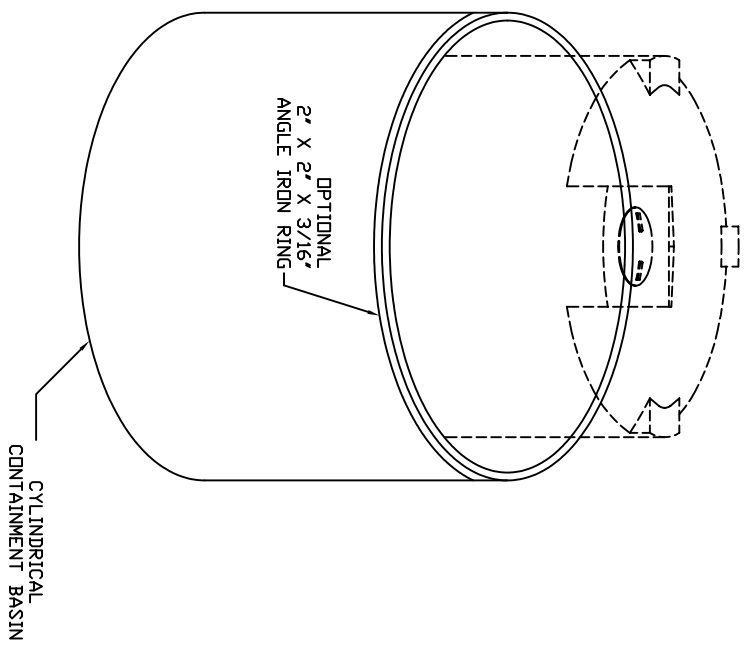


NOTES:


- OPTIONAL 2" X 2" ANGLE RING MAY BE PURCHASED FROM 316 SS OR MILD STEEL EPOXY PAINTED
- OPTIONAL 2" X 2" ANGLE RING IS ATTACHED BY 1/2" 316 SS BOLTS



DESIGN DATA

PART #	OUTSIDE DIA.	INSIDE DIA.	HEIGHT	GALLONS
IRD 1100	86" DIA.	82" DIA.	-- TD 40"	-- TD 982
IRD 1500	86" DIA.	82" DIA.	40" TD 53"	982 TD 1301
IRD 2000	86" DIA.	82" DIA.	53" TD 77"	1301 TD 1891
IRD 2500	86" DIA.	82" DIA.	77" TD 98"	1891 TD 2406
IRD 3000	90" DIA.	86" DIA.	-- TD 107"	-- TD 2881
IRD 4000	90" DIA.	86" DIA.	107" TD 144"	2881 TD 3877
IRD 1850	96" DIA.	92" DIA.	-- TD 58"	-- TD 1760
IRD 2400	96" DIA.	92" DIA.	58" TD 75"	1760 TD 2277
IRD 2900	96" DIA.	92" DIA.	75" TD 91"	2277 TD 2762
IRD 4200	96" DIA.	92" DIA.	91" TD 140"	2762 TD 4200
IRD 5600	96" DIA.	92" DIA.	140" TD 177"	4200 TD 5300
IRD 5200	105" DIA.	101" DIA.	-- TD 133"	-- TD 4800
IRD 6500	105" DIA.	101" DIA.	133" TD 172"	4800 TD 6200
IRD 4100	119" DIA.	115" DIA.	-- TD 84"	-- TD 3780
IRD 5500	119" DIA.	115" DIA.	-- TD 116"	-- TD 5400
IRD 6510	119" DIA.	115" DIA.	116" TD 131"	5400 TD 6100
IRD 7300	119" DIA.	115" DIA.	131" TD 153"	6100 TD 7100
IRD 8410	119" DIA.	115" DIA.	153" TD 178"	7100 TD 8200
IRD 8000	143" DIA.	139" DIA.	-- TD 116"	-- TD 7800
IRD 10000	143" DIA.	139" DIA.	116" TD 147"	7800 TD 9900
IRD 12000	143" DIA.	139" DIA.	147" TD 163"	9900 TD 11000
OUTER SHELL TO DOUBLE WALL TANK				
IRD 550	60" DIA.	54" DIA.	-- TD 58"	-- TD 700
IRD 1050	72" DIA.	66" DIA.	-- TD 72"	-- TD 1250
IRD 1550	72" DIA.	66" DIA.	72" TD 108"	1250 TD 1875
IRD 2300	72" DIA.	66" DIA.	108" TD 136"	1875 TD 2350
IRD 2550	96" DIA.	88" DIA.	-- TD 100"	-- TD 3050
IRD 3050	96" DIA.	88" DIA.	100" TD 118"	3050 TD 3600
IRD 4050	96" DIA.	88" DIA.	118" TD 158"	3600 TD 4825
IRD 5250	119" DIA.	111" DIA.	-- TD 131"	-- TD 6125
IRD 6550	119" DIA.	111" DIA.	131" TD 164"	6125 TD 7650

REV E	ADDED IRD 7300 & IRD 8400	3/20/12 MG
REV	REVISION DESCRIPTION	REV DATE


  
 300 N TAYLOR ROAD  
 GARRETT, IN 46738  
 PHONE: (260) 357-3181 FAX: (260) 357-3188  
 D. CRAGER  
 DRAWN DATE: 6/15/93

D	UPDATED TITLE BLOCK	1/30/09 MG
C	UPDATED SIZE RANGES	10/23/03
B	UPDATED SIZE RANGES	5/19/00
A	UPDATED SIZE RANGES	12/6/96

TITLE	SECONDARY CYLINDRICAL CONTAINMENT BASINS	DWG NUMBER	IRD 001	REV	E
-------	--	------------	---------	-----	---