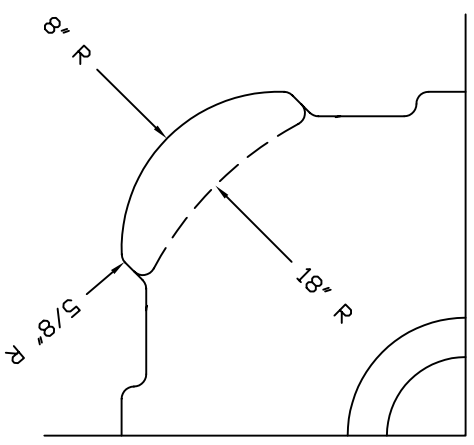


NOTES:  
 1. RESIN:  
 LINEAR MEDIUM DENSITY POLYETHYLENE

RETAINER RIB  
 DETAIL



REV	A	UPDATED TITLE BLOCK	1/29/09 MG
REV		REVISION DESCRIPTION	REV DATE

	300 N TAYLOR ROAD GARRETT, IN 46738 PHONE: (260) 357-3181 FAX: (260) 357-3738	SALES ORDER	REV
	TITLE ASSMANN CORPORATION 300 GAL. FEED STATION STAND	DRAWN BY: D. MURPHY DRAWN DATE: 6/21/05	DWG NUMBER:
		AFS300S	A