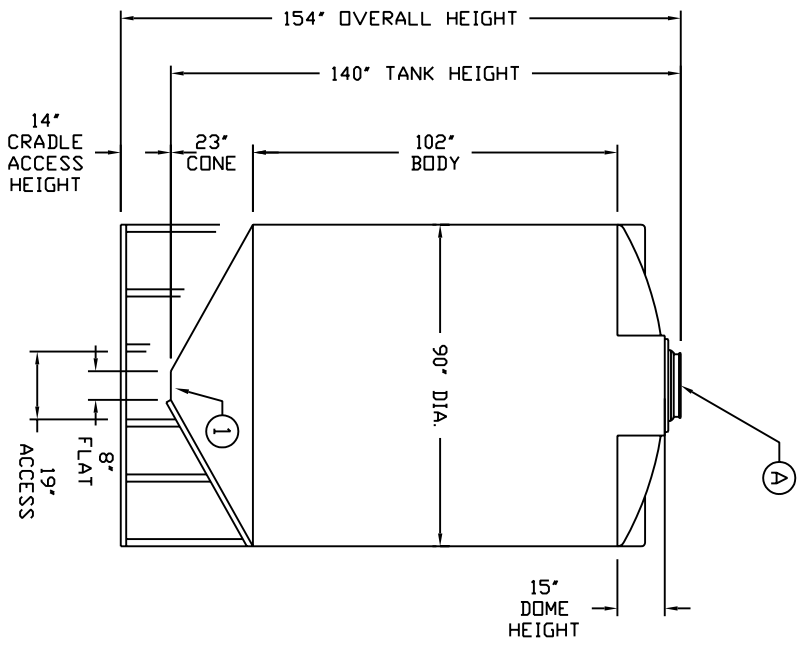
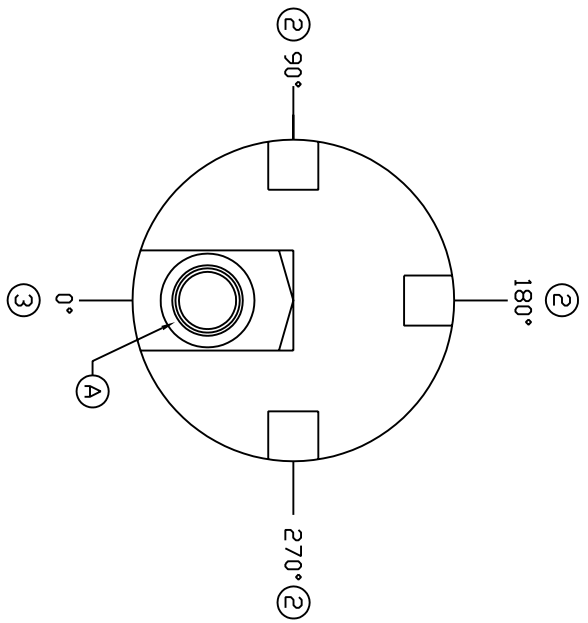


ACCESSORIES

MK	SIZE	DESCRIPTION	DEG	ELEV	DOME
A	16"	16" MANWAY W / LEVER LOCKING COVER	0°	-	X



- NOTES:
- 1: 8" DIA. CONE TIP FLAT
 2. 14" X 14" DOME FLAT (3 PLACES)
 3. 28" X 45" DOME FLAT

REV	DESCRIPTION	DATE
B	UPDATED TITLE BLOCK	12/19/08 MG
A	ADDED LARGER DOME FLATS	1/19/98
REV	REVISION DESCRIPTION	REV DATE

ICB 3000
CORPORATION OF AMERICA

300 N TAYLOR ROAD
 GARRETT, IN 46726
 PHONE: (260) 257-2181
 FAX: (260) 257-3728

POLYETHYLENE
 TANK RESISTED SPECIFIC GRAVITY - S.P.G. MAX

TITLE	ICB 3000 GAL. CONICAL BOTTOM STORAGE TANK
ISSUED BY	D. CRAGER
ISSUE DATE	11/21/95
SALES ORDER	
TANK WEIGHT	
TANK ORDER	NATURAL
DWG NUMBER	ICB 3000
REV	B

ALL DIMENSIONS ARE IN INCHES AND ARE ±3%