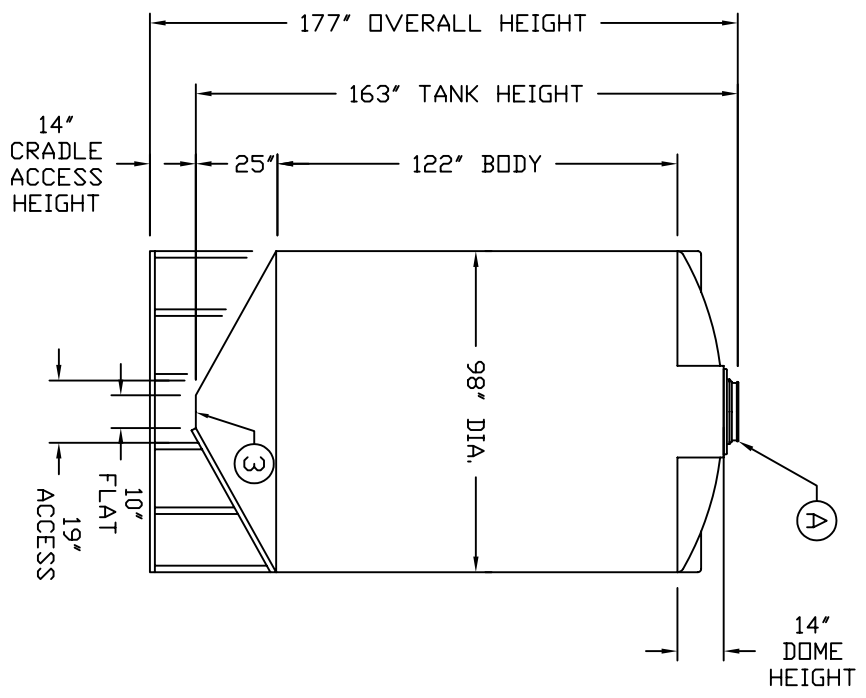
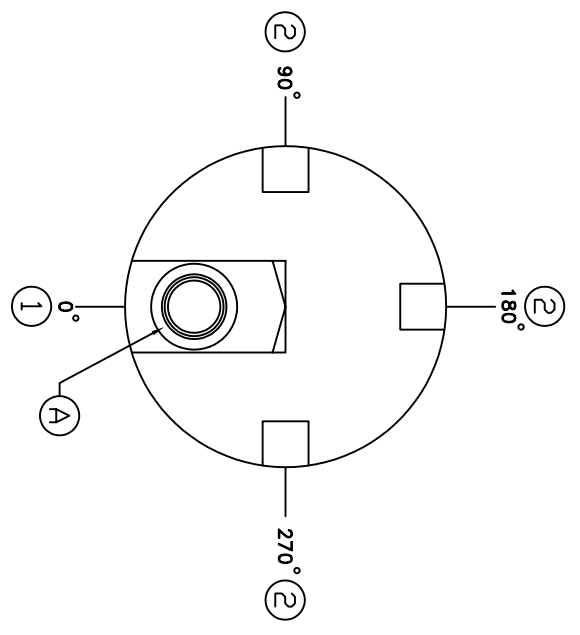


ACCESSORIES					
MK	SIZE	DESCRIPTION	DEG	ELEV	DOME
A	16"	MANWAY W/ LEVER LOCKING COVER	0°	-	X



NOTES:

1. 28" X 49" DOME FLAT
2. 14" X 14" DOME FLAT (3 PLACES)
3. 10" DIA. CONE TIP FLAT

REV	DESCRIPTION	DATE	BY
B	UPDATED TITLE BLOCK	12/22/08	MG
A	CHANGED DOME FLATS TO 14" X 14"	11/15/98	
REV	REVISION DESCRIPTION	REV DATE	

		300 N TAYLOR ROAD GARRETT, IN 46728 PHONE: (260) 337-9181 FAX: (260) 337-9728	
TITLE ICB 4200 GAL. CONICAL BOTTOM STORAGE TANK		POLYETHYLENE TANK RESIN SPECIFIC GRAVITY - S.P.G. MAX	
DRAWN BY D. CRANER	REVISION DATE 11/25/95	SALES ENGINEER	TANK ORDER WEIGHT NATURAL LBS.
ALL DIMENSIONS ARE IN INCHES AND ARE ±3%		DWG NUMBER ICB 4200	REV B