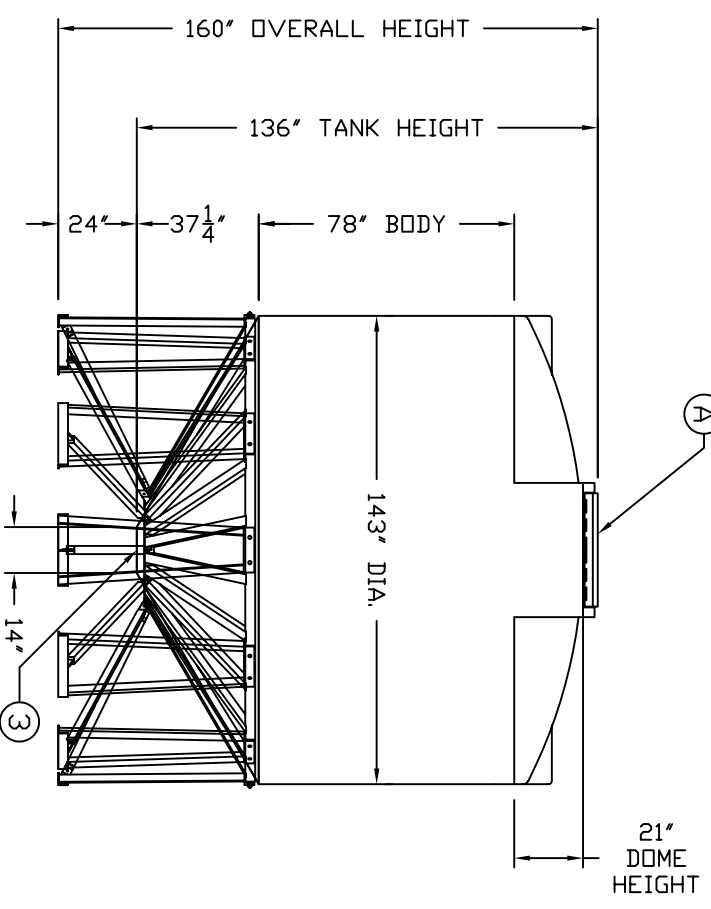
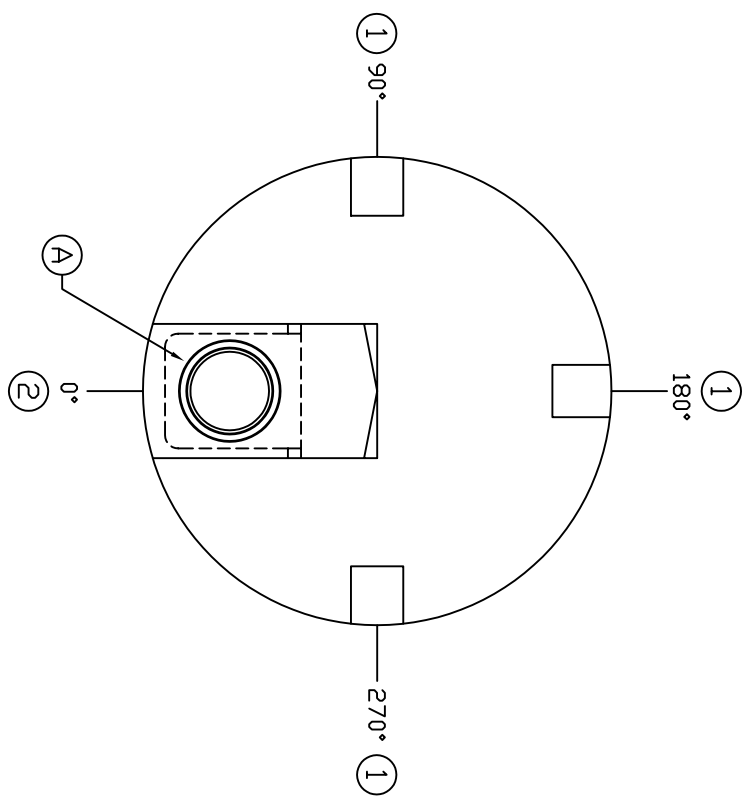


ACCESSORIES					
MK	SIZE	DESCRIPTION	DEG	ELEV	DOME
A	24"	MANWAY W/ HINGED MANWAY COVER	0°	-	X



- NOTES:
1. 16" X 18" DOME FLAT (3 PLACES)
 2. 41" X 71 1/2" DOME FLAT
 3. 14" DIA. CONE TIP FLAT

REV A	UPDATED TITLE BLOCK	12/29/08 MG
REV	REVISION DESCRIPTION	REV DATE
TITLE ICB 6000 GAL. CONICAL BOTTOM STORAGE TANK		
DRAWN BY: D. CRANER REVISION DATE: 11/28/95 SALES ORDER:	300 N TAYLOR ROAD GARRETT, IN 46728 PHONE: (260) 337-3181 FAX: (260) 337-3728	RESIN USED: POLYETHYLENE TANK DESIGNED: SP.G. MAX SPECIFIC GRAVITY: - TANK WEIGHT: LBS. TANK COLOR: NATURAL
ALL DIMENSIONS ARE IN INCHES AND ARE ±3%	DWG NUMBER: ICB 6000	REV: A