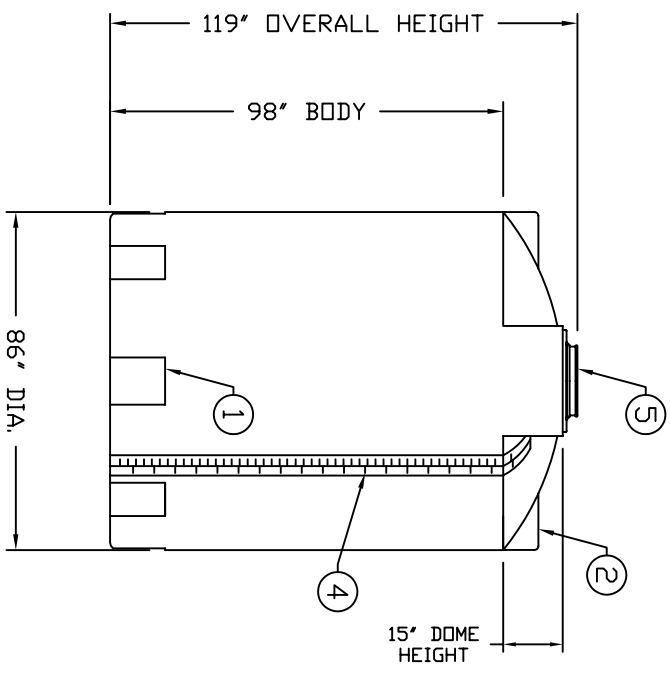
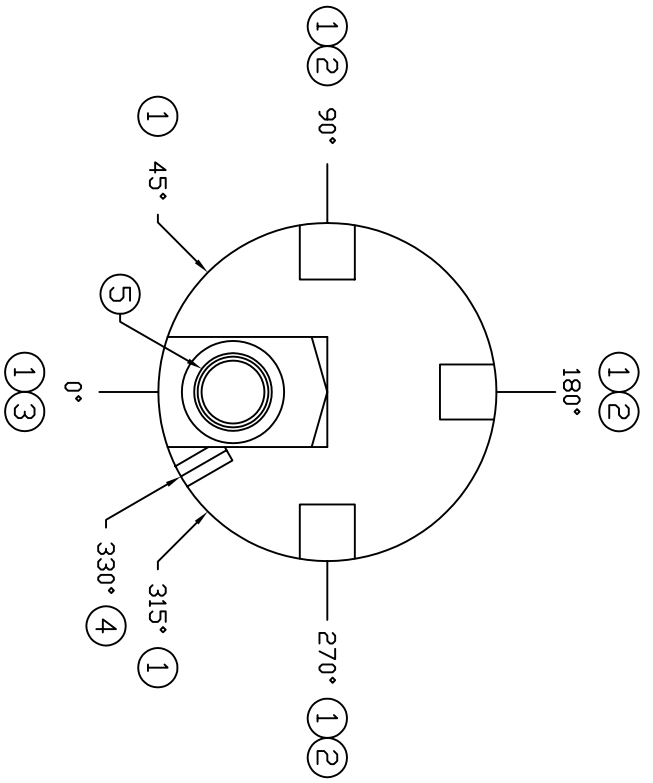


ACCESSORIES

MK	SIZE	DESCRIPTION	DEG	ELEV	DOME



- NOTES:
- 12" x 14" LOWER FLATS (6 PLACES)
 - 14" x 14" DOME FLATS (3 PLACES)
 - 28" x 43" DOME FLAT
 - MOLDED IN VOLUME MARKER (50 GAL. INCREMENTS)
 - 16" MANWAY W/ LEVER LOCK COVER

REV	DESCRIPTION	REV DATE
B	1 REVISED TANK MOLDED GRADUATION	12/2/05dam
A	2 UPDATED TITLEBLOCK	
	1 ADDED DOME FITTING FLATS	2/15/99
	REVISION DESCRIPTION	REV DATE

ICM Corporation
 CORPORATION OF AMERICA
 300 N TAYLOR ROAD
 GARRETT, IN 46728
 PHONE: (260) 337-9181
 FAX: (260) 337-9798

TITLE: ICT 2500 GAL.
 VERTICAL STORAGE TANK
 DRAWN BY: D. CRANER
 CHECKED BY: SALES ENGINEER
 DATE: 2/15/99
 ASSMANN CORPORATION

TANK WEIGHT	LBS.
TANK VOLUME	LBS.
DWG NUMBER	ICT 2500
REV	B

RESIN USED: POLYETHYLENE
 TANK DESIGNED: S.P.G. MAX
 SPECIFIC GRAVITY: -

ALL DIMENSIONS ARE IN INCHES AND ARE ±.3%