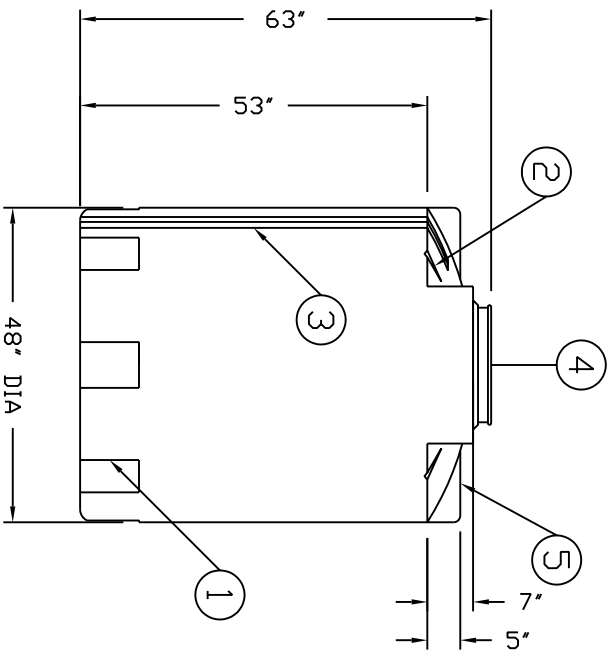
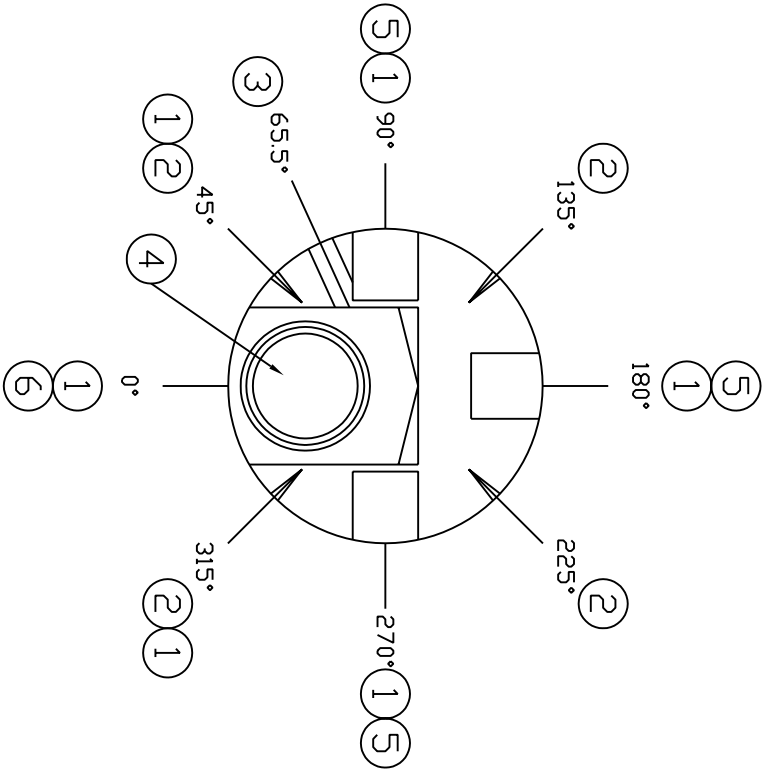


ACCESSORIES

MK	SIZE	DESCRIPTION	DEG	ELEV	DNMC



- NOTES:
- 1 LOWER FLATS 7" X 9" (6 PLACES)
 - 2 MOLDED IN TIE DOWN GROOVES (4PLACES)
 - 3 MOLDED IN VOLUME MARKER
 - 4 16" MANWAY WITH LEVERLOCKING COVER
 - 5 10" X 10" DOME FLAT (3 PLACES)
 - 6 24" X 29" MANWAY FLAT
 - 7 CALCULATED GALLONS PER INCH 7.67

		300 N TAYLOR ROAD GARRETT, IN 46738 PHONE: (260) 357-3181 FAX: (260) 357-3738	
TITLE: ICT 400 GALLON VERTICAL STORAGE TANK			
DRAWN BY: SRDWLISDN DATE: 6/22/07	SALES ORDER#	RESIN USED: PDL YETHYLENE SPEC. RESIN OR DENSITY: 19 SP.G. MAX LBS.	
ALL DIMENSIONS ARE IN INCHES AND ARE ±.3%		DWG NUMBER: ICT 400	REV: A