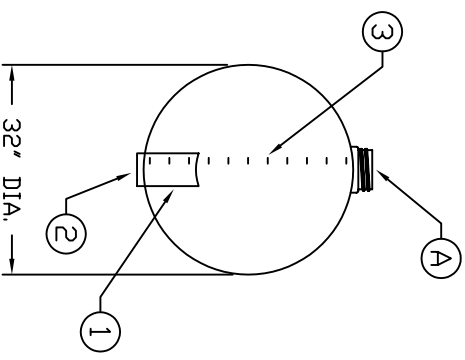
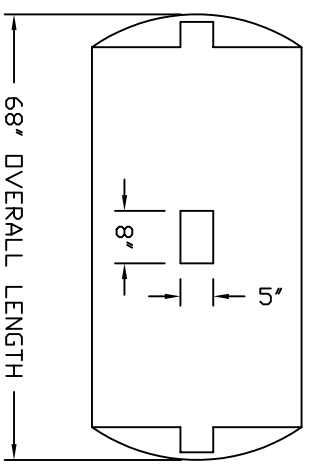
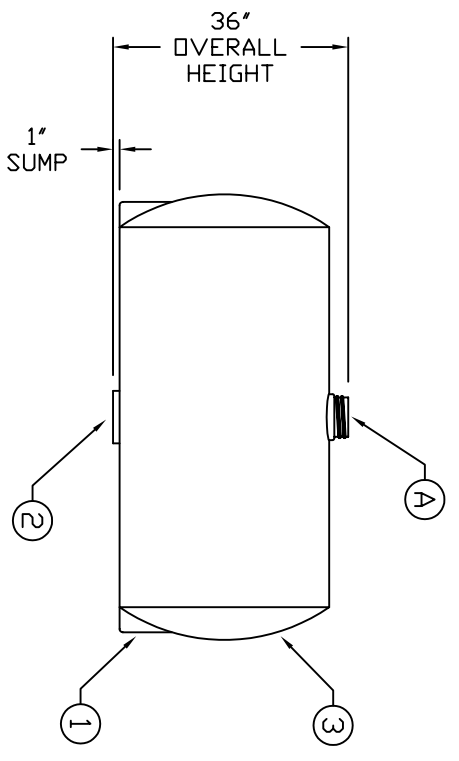
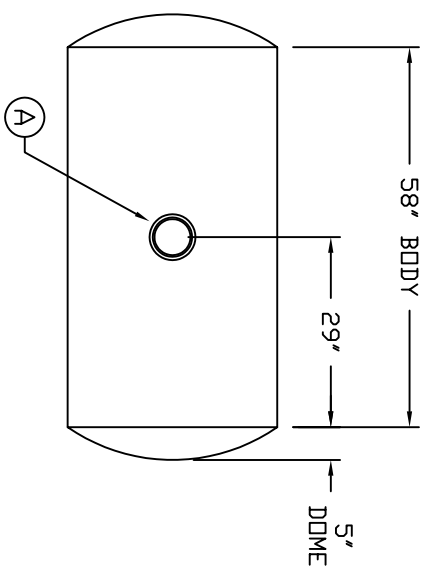


ACCESSORIES					
MK	SIZE	DESCRIPTION	DEG	ELEV	DOME
A	6'	ACCESS W/ THREADED COVER	CL	-	X



- NOTES:
1. 5' X 8' END FLATS ( 2 PLACES )
  2. 5' X 8' X 1' DEEP BOTTOM SUMP
  3. MOLDED IN VOLUME MARKER

REV	A	UPDATED TITLE BLOCK	1/8/09 MG
REV		REVISION DESCRIPTION	REV DATE
TITLE IHT 200 GAL. CYLINDRICAL HORIZONTAL STORAGE TANK			
DRAWN BY: D. CRAIGER CHECKED BY: 3/28/93 SALES ENGINEER		300 N TAYLOR ROAD GARRETT, IN 46728 PHONE: (260) 337-9181 FAX: (260) 337-9728	
RESIN USED: POLYETHYLENE		TANK DESIGNED: SP.G. MAX	
TANK WEIGHT: - LBS.		SPECIFIC GRAVITY: -	
DWG NUMBER: IHT 200		REV: A	

ALL DIMENSIONS ARE IN INCHES AND ARE ±3%