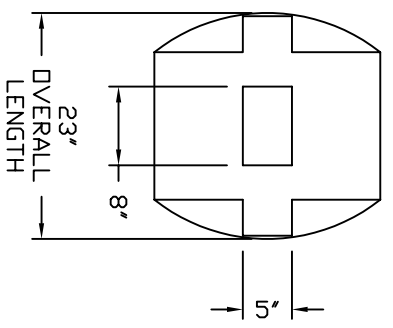
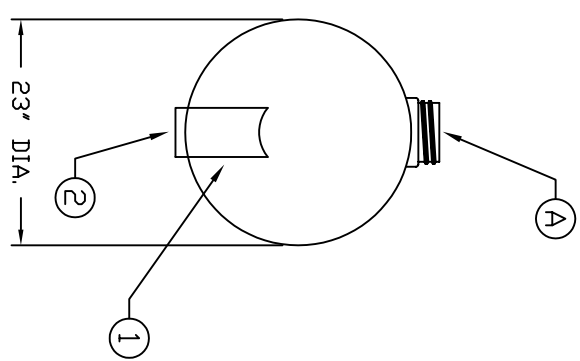
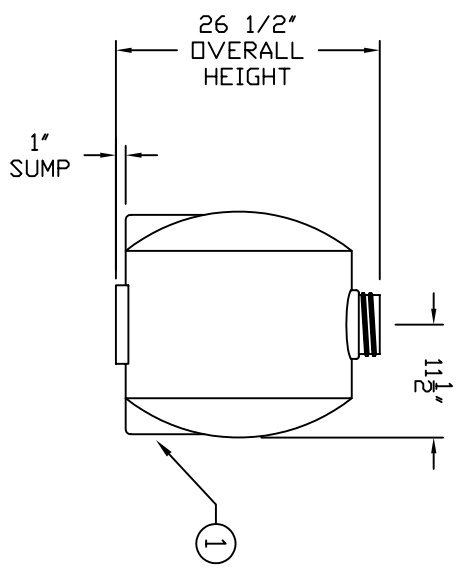
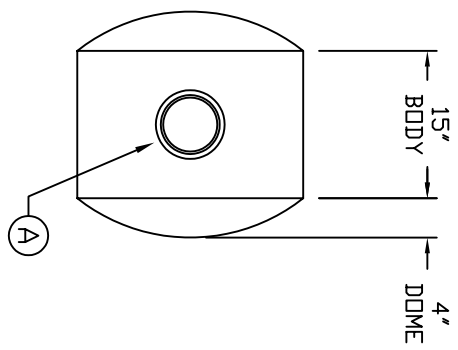


ACCESSORIES					
MK	SIZE	DESCRIPTION	DEG	ELEV	DOME
A	6'	ACCESS W/ THREADED COVER	CL	-	X



- NOTES:
1. 5" X 8" END FLAT SPOT (2 PLACES)
 2. 5" X 8" X 1" DEEP BOTTOM SUMP

REV	UPDATED TITLE BLOCK	REVISION DESCRIPTION	REV DATE
A			1/5/09 MG

Ice Armor
CORPORATION OF AMERICA

300 N TAYLOR ROAD
GARRETT, IN 46728
PHONE: (260) 337-3181
FAX: (260) 337-3728

TITLE	IHT 25 GAL. CYLINDRICAL HORIZONTAL STORAGE TANK	TANK WEIGHT	LBS.
DRAWN BY	D. CRAIGER	TANK RESIN	POLYETHYLENE
DATE	3/28/93	TANK SPECIFIC GRAVITY	-
		SP.G. MAX	

RESIN USED	
TANK ORDER	NATURAL
DWG NUMBER	IHT 25 A
REV	A

ALL DIMENSIONS ARE IN INCHES AND ARE ±3%