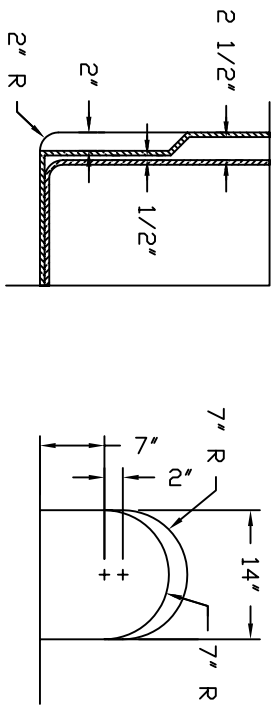
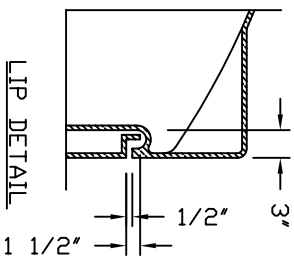
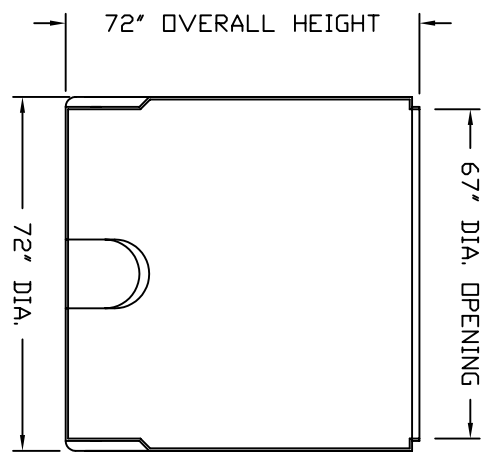
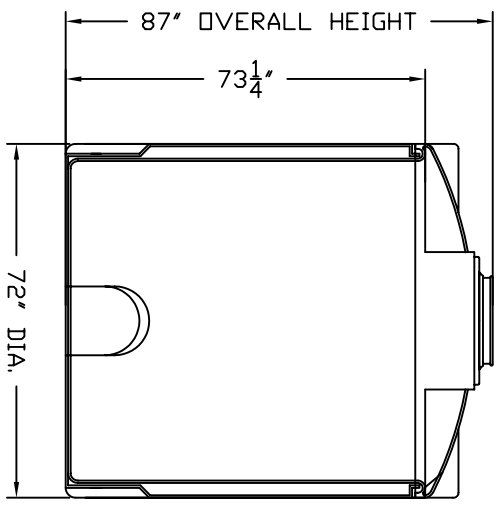
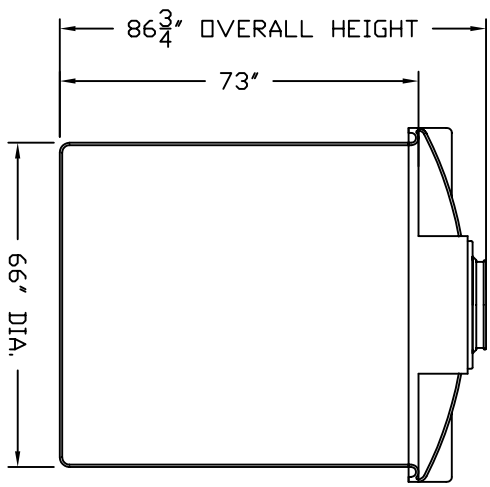
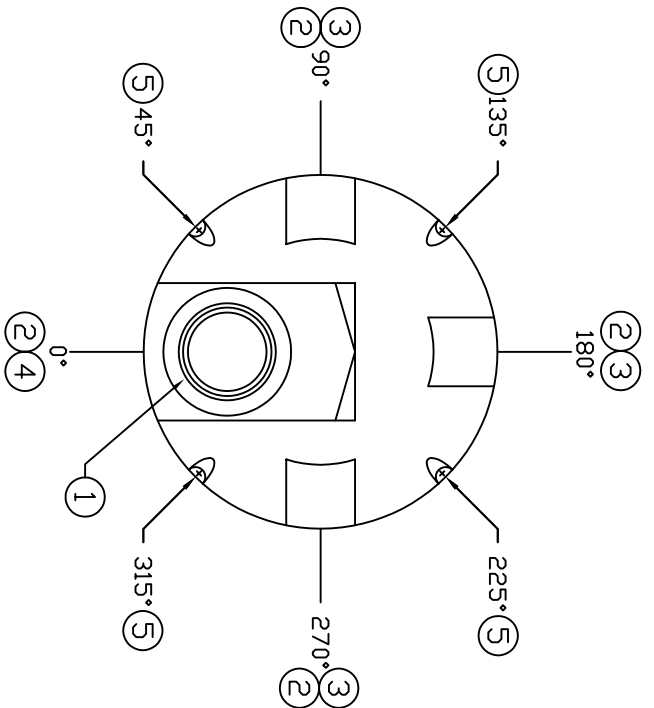


ACCESSORIES			DEG	ELEV	DOME
MK	SIZE	DESCRIPTION			



**FLAT SPOT DETAIL**

- NOTES:
1. 16" MANWAY W/ LEVER LOCKING COVER OPTIONAL 21" THREADED
  2. LOWER FLAT SPOT (4 PLACES)
  3. 14" X 13" DOME FLAT SPOT (3 PLACES)
  4. 28" X 43" MANWAY FLAT
  5. LIFTING LUG ASSEMBLY (4 PLACES)

REV	DESCRIPTION	DATE
B	CORRECTED DOME FLAT DIMENSIONS	10/10/12 MG
A	INSERTED A NEW TITLE BLOCK	06/12/08 MG
REV	REVISION DESCRIPTION	REV DATE

300 N TAYLOR ROAD  
GARRETT, IN 46738  
PHONE: (260) 357-3181  
FAX: (260) 397-9788

SALES ORDER

OVERALL - LBS.

TANK WEIGHT - LBS.

RESIN USED - POLYETHYLENE

TANK COLOR -

TITLE	IMT 1050	DWG NUMBER	IMT 1050
DOUBLE WALL STORAGE TANK			

ALL DIMENSIONS ARE IN INCHES AND ARE ±3%