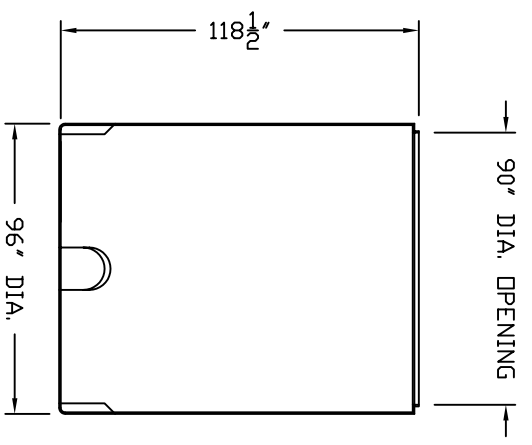
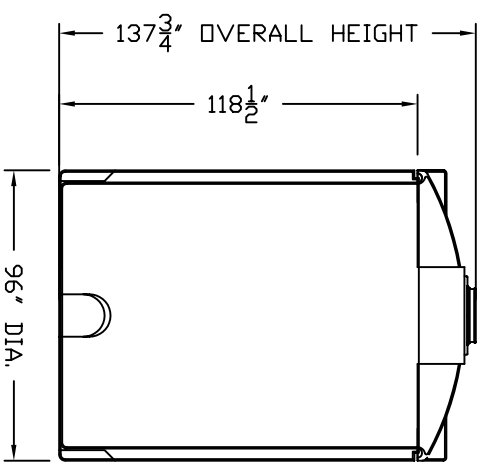
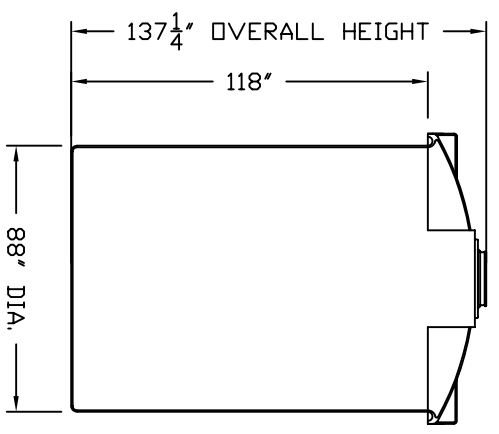
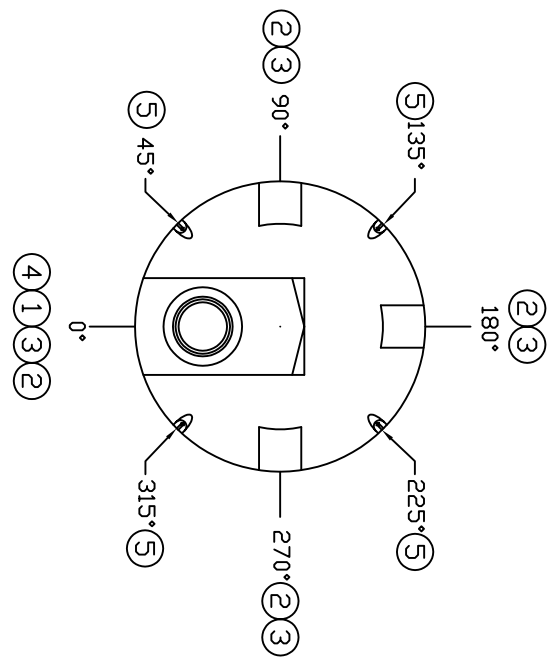
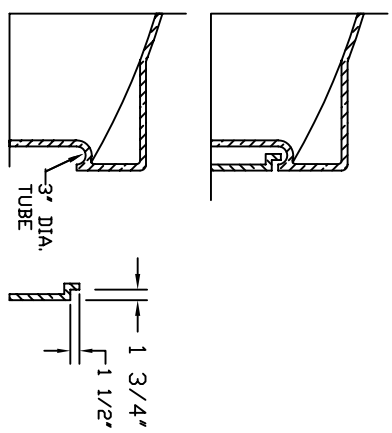


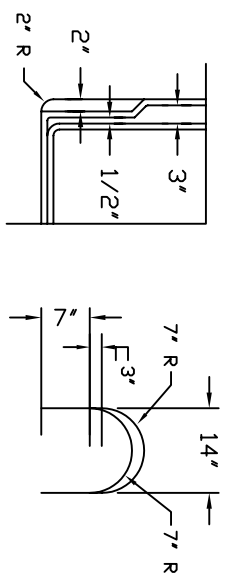
MK	SIZE	DESCRIPTION	DEG	ELEV	DOME
		ACCESSORIES			



LIP DETAIL



LOWER FLAT SPOT DTL.



- NOTES:
- 1 16" LEVER LOCKING MANWAY
 - 2 LOWER FLAT SPOT (4 PLACES)
 - 3 14" X 14" DOME FLAT SPOTS (3 PLACES)
 - 4 32" X 52" MANWAY FLAT
 - 5 LIFTING LUG ASSEMBLY (4 PLACES)

REV	DESCRIPTION	REV DATE
B	CORRECTED DOME FLAT DIMENSIONS	10/10/12 MG
A	INSERTED A NEW TITLE BLOCK	06/12/08 MG
REV	REVISION DESCRIPTION	REV DATE

		300 N TAYLOR ROAD GARRETT, IN 46738 PHONE: (260) 357-3181 FAX: (260) 397-9788		SALES ORDER OVERALL - LBS.	
PRIMARY VESSEL	SPECIFIC GRAVITY	SP.G. MAX	SECONDARY VESSEL	SPECIFIC GRAVITY	SP.G. MAX
RESIN USED	TANK WEIGHT	- LBS.	RESIN USED	TANK WEIGHT	- LBS.
POLYETHYLENE	TANK COLOR	-	POLYETHYLENE	TANK COLOR	-
TITLE IMT 3050 DOUBLE WALL STORAGE TANK			DRAWN BY: D. CRAGER DWG NUMBER: IMT 3050 TRAWN DATE: 12/29/97 REV: B		
ALL DIMENSIONS ARE IN INCHES AND ARE ±3%					