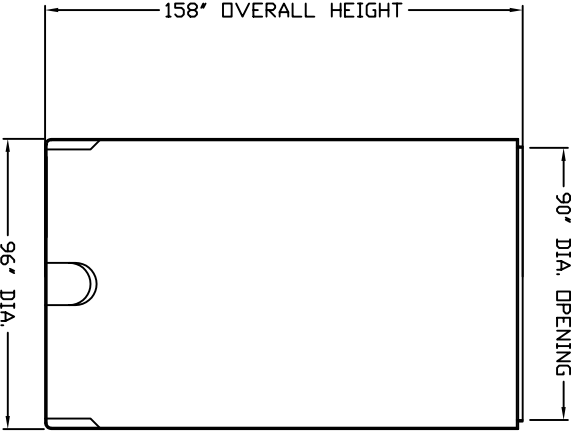
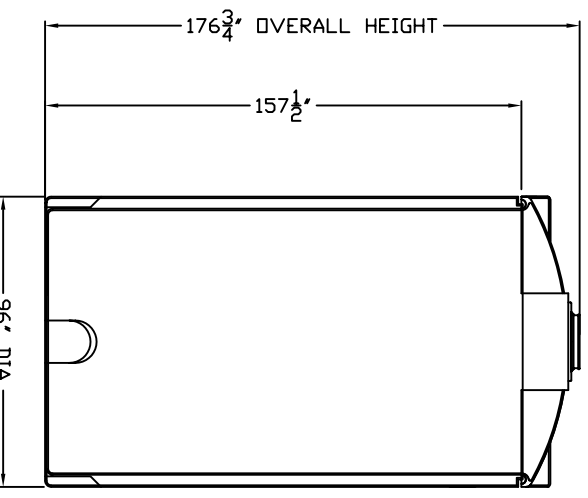
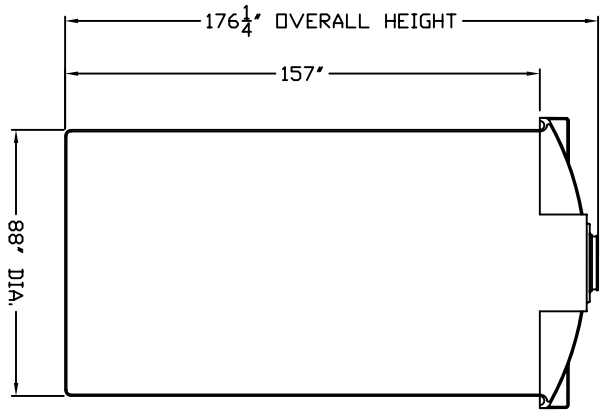
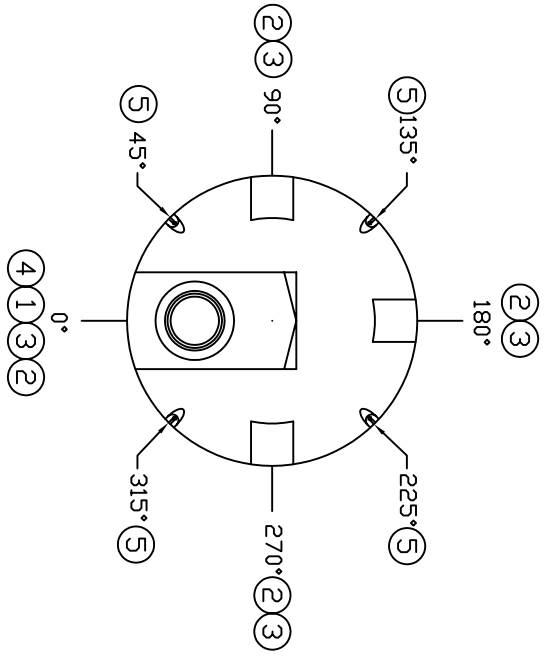
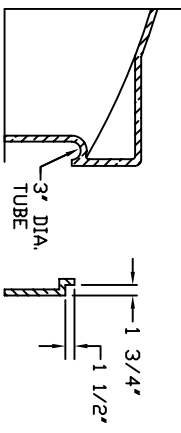
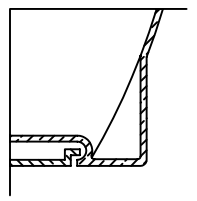


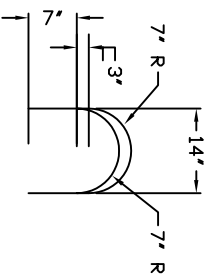
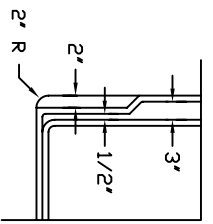
MK	SIZE	DESCRIPTION	DEG	ELEV	DOME
		ACCESSORIES			



LIP DETAIL



LOWER FLAT SPOT DTL.



- NOTES:
- 1 1/2" LEVER LOCKING MANWAY
 - 2 LOWER FLAT SPOT (4 PLACES)
 - 3 14" X 14" DOME FLAT SPOTS (3 PLACES)
 - 4 32" X 52" MANWAY FLAT
 - 5 LIFTING LUG ASSEMBLY (4 PLACES)

REV	DESCRIPTION	REV DATE
B	CORRECTED DOME FLAT DIMENSIONS	10/10/12 MG
A	INSERTED A NEW TITLE BLOCK	06/12/08 MG
REV	REVISION DESCRIPTION	REV DATE



300 N TAYLOR ROAD
GARRETT, IN 46738
PHONE: (860) 357-3181
FAX: (860) 397-9788

PRIMARY VESSEL	SPECIFIC GRAVITY	SP.G. MAX	SECONDARY VESSEL	SPECIFIC GRAVITY	SP.G. MAX
POLYETHYLENE	-	- LBS.	POLYETHYLENE	-	- LBS.

TANK WEIGHT	TANK COLOR	TANK WEIGHT	TANK COLOR
-	-	-	-

TITLE	IMT 4050	DWG NUMBER	IMT 4050
DOUBLE WALL STORAGE TANK			

ALL DIMENSIONS ARE IN INCHES AND ARE ±.3%