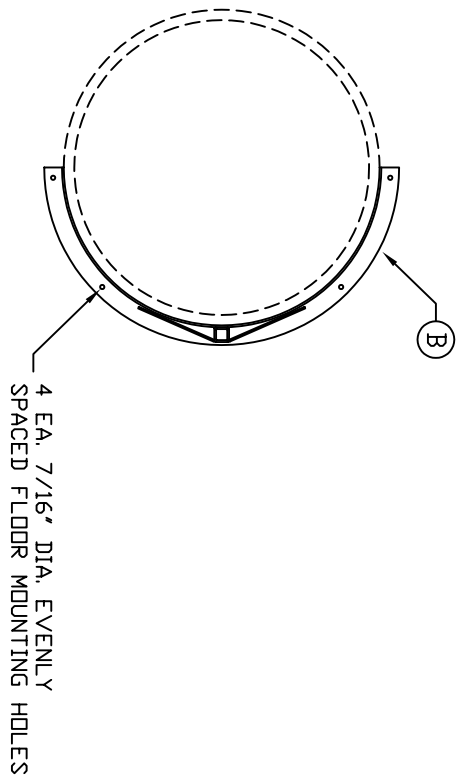
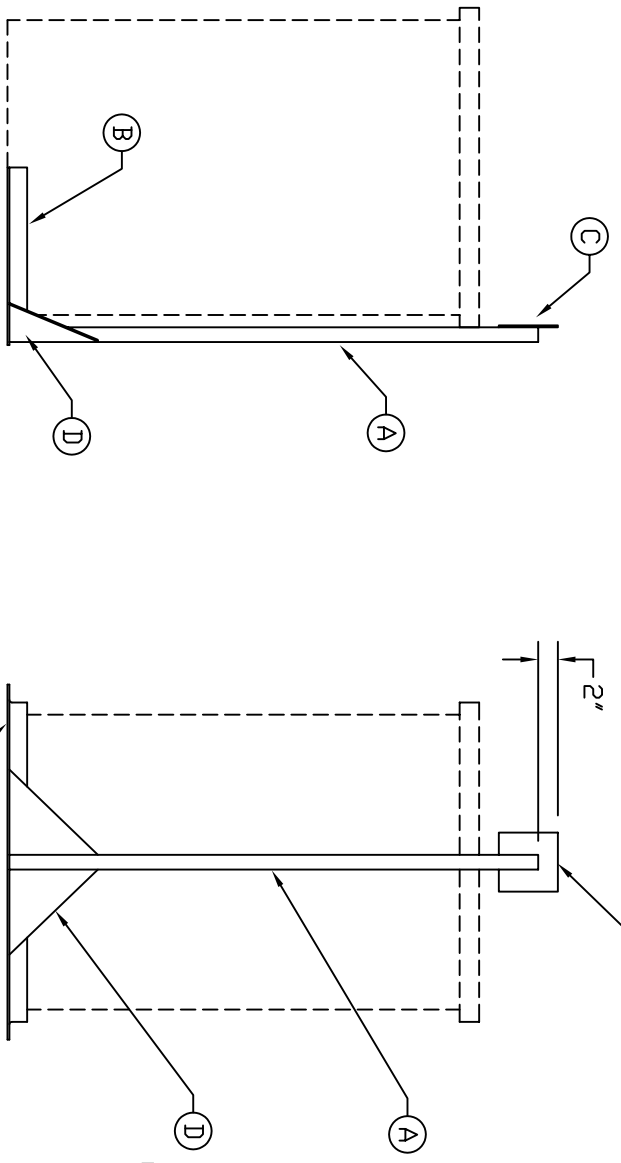


DESIGN DATA			
UNIT CODE	A	B	
	LENGTH	LENGTH	INSIDE ROLL DIA.
IDT 30 GAL.	41'	27'	17' DIA.
IDT 40 GAL.	43'	30'	19' DIA.
IDT 70 GAL.	51'	36'	22 1/2' DIA.
IDT 90 GAL.	54'	41'	26' DIA.
IDT 150 GAL.	54'	51'	32 1/2' DIA.
IDT 210 GAL.	54'	57'	36' DIA.
IDT 300 GAL.	61'	68'	43' DIA.



AGITATOR
MOUNTING PLATE
6" X 6" X 3/16"
FLAT STOCK



1 1/2" X 1 1/2"
3/16" BDX TUBE

9" X 9" X 3/16"
FLAT STOCK
GUSSET (2 PLACES)

2" X 2" X 3/16"
ANGLE IRON ROLLED
AN I.D. (SEE ABOVE)

REV A	UPDATED TITLE BLOCK	8/8/09 MG
REV	REVISION DESCRIPTION	REV DATE

ICM Lorman
CORPORATION OF AMERICA

300 N TAYLOR ROAD
GARRETT, IN 46738
PHONE: (260) 357-3181
FAX: (260) 357-3738

DRAWN BY: _____
DATE: 6/03/93

TITLE: AGITATOR STAND FOR OPEN TOP TANKS

DWG NUMBER: IDT-AS

REV: A