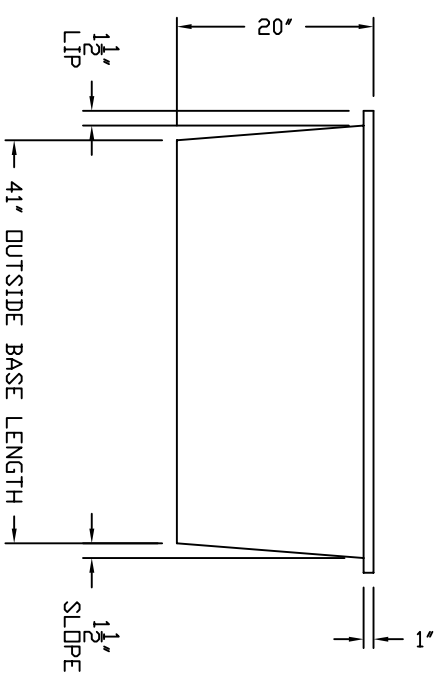
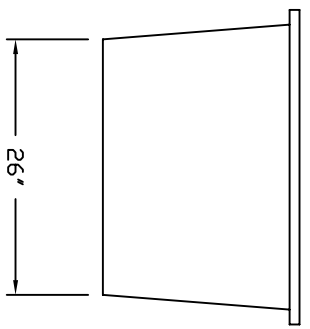
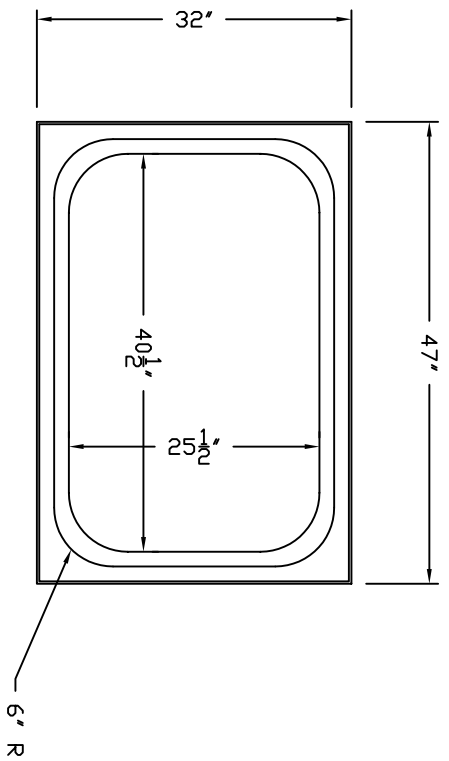


- NOTES:
1. RESIN: LINEAR MEDIUM DENSITY POLYETHYLENE
 2. CALCULATED CAPACITY: 95 GAL.



REV	DESCRIPTION	DATE
A	UPDATED TITLE BLOCK	2/10/09 MG



300 N TAYLOR ROAD
GARRETT, IN 46738
PHONE: (260) 357-3181
FAX: (260) 357-3738

TITLE ASSMANN CORPORATION 80 GAL.
CONTAINMENT BASIN

DRAWN BY: D. CRAIGER
DRAWN DATE: 2/23/96

DWG NUMBER: IRD 80
REV: A