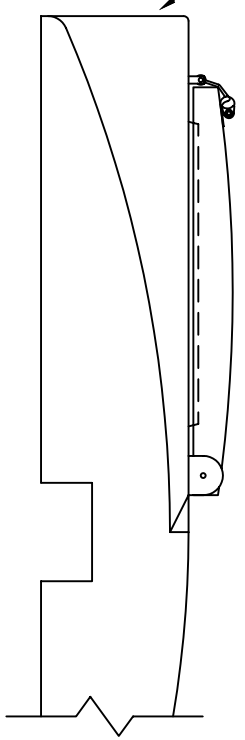
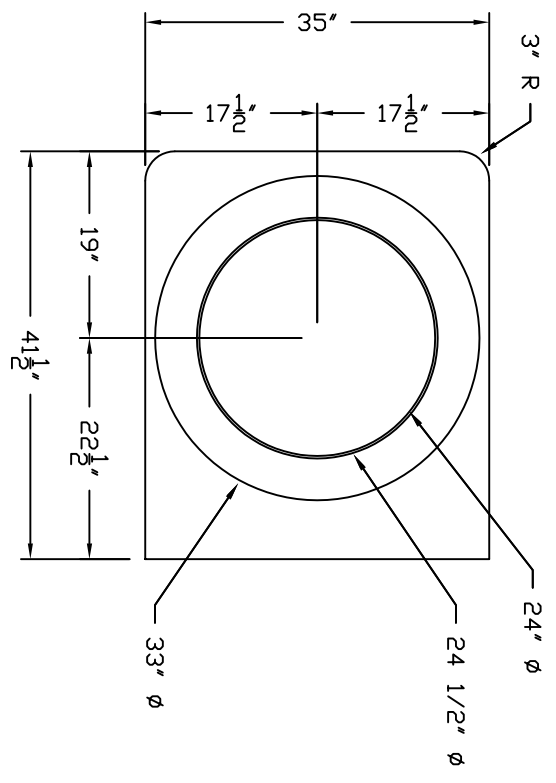
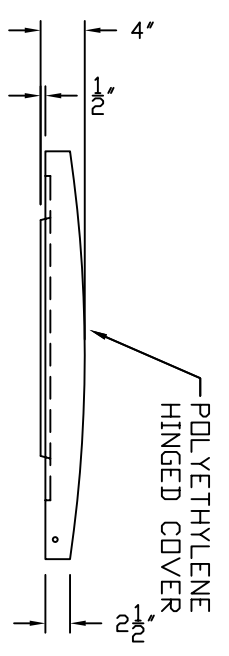


MANWAY PROMONTORY



REV	DESCRIPTION	DATE
A	UPDATED TITLE BLOCK	6/29/09 MG

Ice Form
CORPORATION OF AMERICA

300 N TAYLOR ROAD
GARRETT, IN 46738
PHONE: (260) 357-3181
FAX: (260) 357-3738

DRAWN BY: D. CRAGER
DRAWN DATE: 1/02/95

TITLE: 24" TOP MANWAY WITH HINGED COVER

DWG NUMBER: MK24

REV: A