

MATERIALS:

SELF ALIGNING DOME FITTING:

PVC ONLY

GASKET:

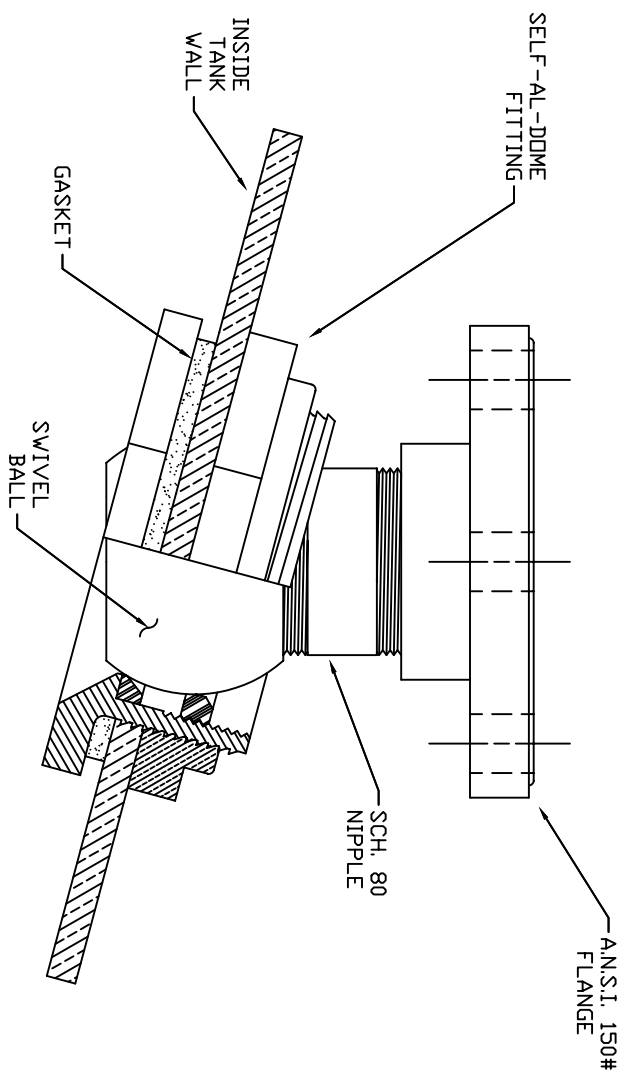
E.P.D.M. VITON XLPE BUNA GORTEX

FLANGE ADAPTER

PVC CPVC POLYPROPYLENE
PVDF (OPTIONAL)

SIZES AVAILABLE:

1" 2" 3" NPT



| REV | A | DESCRIPTION | DATE |
|-----|---|---------------------|------------|
| | | UPDATED TITLE BLOCK | 4/21/09 MG |

Loannou
CORPORATION OF AMERICA

300 N TAYLOR ROAD
GARRETT, IN 46738
PHONE: (260) 357-3181
FAX: (260) 357-3738

DRAWN BY: D. CRAGER
DRAWN DATE: 6/10/93

TITLE: SELF ALIGNING DOME FITTING WITH FLANGE ADAPTER

DWG NUMBER: SADF-FA

REV: A