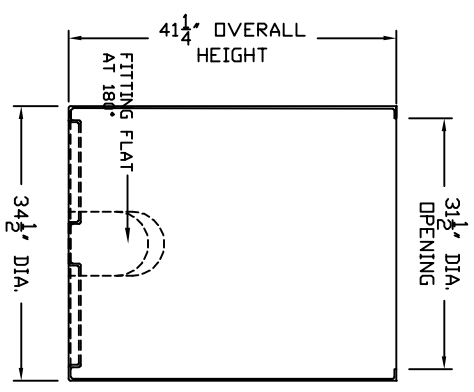
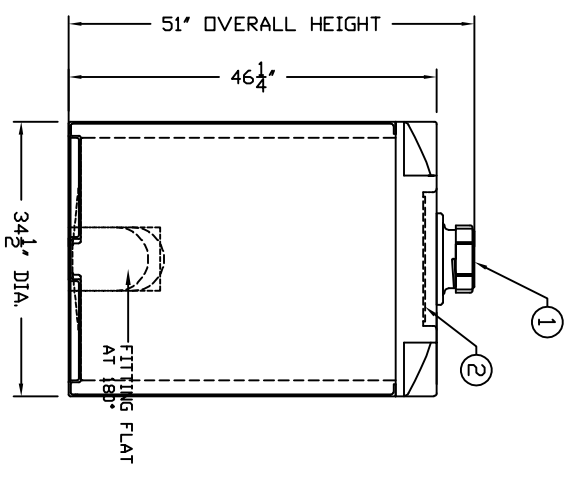
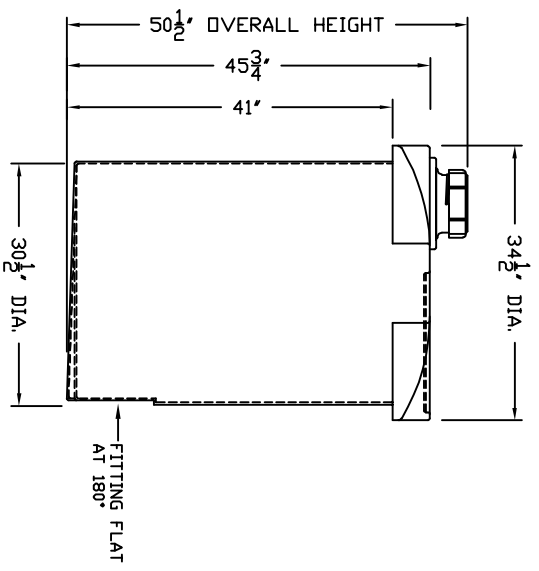
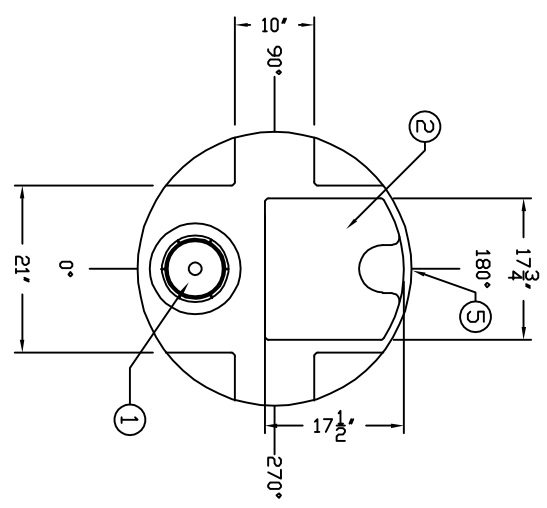


ACCESSORIES					
MK	SIZE	DESCRIPTION	DEG	ELEV	DIME
		-			



- NOTES:
- 1 7" ACCESS W/ THREADED LID
  - 2 MOLDED IN PUMP SHELF
  - 3 PRIMARY CALCULATED GALLONS PER INCH: 306 GPI
  - 4 SECONDARY CALCULATED GALLONS PER INCH: 393 GPI
  - 5 LOWER FITTING FLAT @ 180°

REV	A	UPDATE SIDEVIEW OF TANK TO SHOW FTG FLAT AT 180°	1/18/25 JL
REV		REVISION DESCRIPTION	REV DATE
		300 N TAYLOR ROAD GARRETT, IN 46738 PHONE: (860) 957-3181 FAX: (860) 357-3798	
<b>Lee</b> CORPORATION OF AMERICA		CUSTOMER APPROVAL 112 LBS.	
PRIMARY VESSEL	RESIN USED: POLYETHYLENE	SECONDARY VESSEL	RESIN USED: POLYETHYLENE
TANK SIZE: 19 SP.G. MAX	TANK WEIGHT: 56 LBS.	TANK SIZE: 19 SP.G. MAX	TANK WEIGHT: 56 LBS.
TANK COLOR: NATURAL	TANK COLOR: NATURAL	TANK COLOR: NATURAL	TANK COLOR: NATURAL
TITLE: IMT 120 GAL. DOUBLE WALL STORAGE TANK		DRAWN BY: J. LIXENS DWG NUMBER: IMT 120 REV: A	
ALL DIMENSIONS ARE IN INCHES AND ARE ±3%			