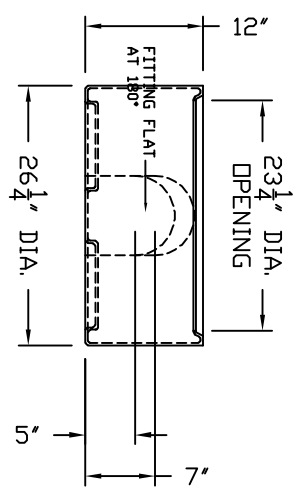
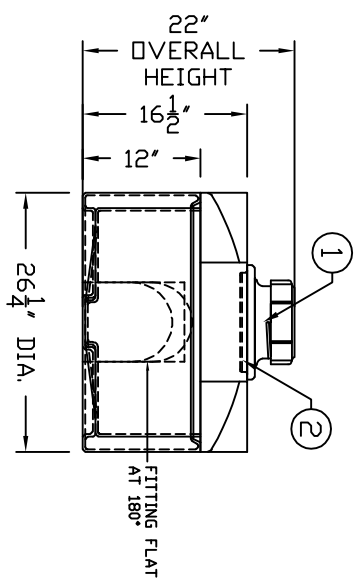
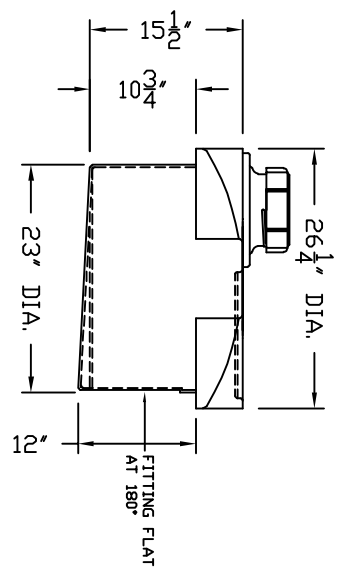
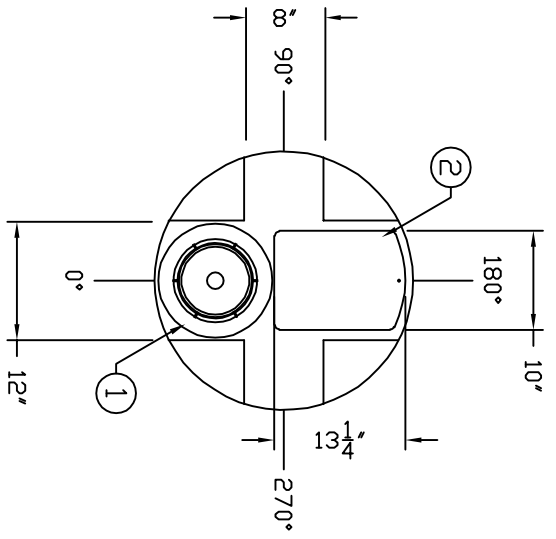


ACCESSORIES

MK	SIZE	DESCRIPTION	DEG	ELEV	DOME



- NOTES:
- 1 7" ACCESS W/ THREADED LID AND RIM
 - 2 MOLDED IN PUMP SHELF
 - 3 PRIMARY CALCULATED GALLONS PER INCH: 1.743 GPI
 - 4 CALCULATED STRAIGHT SIDE CAPACITY: 18,081 GAL.
 - 5 SECONDARY CALCULATED GALLONS PER INCH: 2.257 GPI
 - 6 CALCULATED STRAIGHT SIDE CAPACITY: 21,722 GAL.

REV	DESCRIPTION	DATE
A	TURNED THE TANK 180° SO THE ACCESS IS AT 0°	6/11/08 MG
B	UPDATE SIDEVIEW OF TANK TO SHOW FTG FLAT AT 180°	1/18/25 JL

Ice Armor
 CORPORATION OF AMERICA
 300 N TAYLOR ROAD
 GARRETT, IN 46738
 PHONE: (260) 357-3181
 FAX: (260) 357-3738

RESIN USED	TANK DESIGN	WEIGHT	SP.G.	MAX	RESIN USED	TANK DESIGN	WEIGHT	SP.G.	MAX
POLYETHYLENE	NATURAL				POLYETHYLENE	NATURAL			

TITLE: IMT 20 GAL.
 DOUBLE WALL STORAGE TANK
 DWG NUMBER: IMT 20 A
 DATE: 10/22/03
 ALL DIMENSIONS ARE IN INCHES AND ARE ±3%