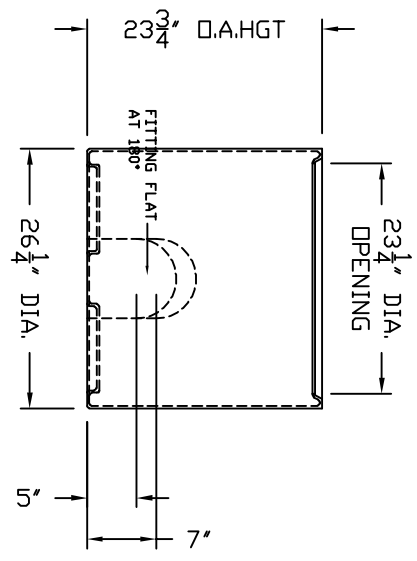
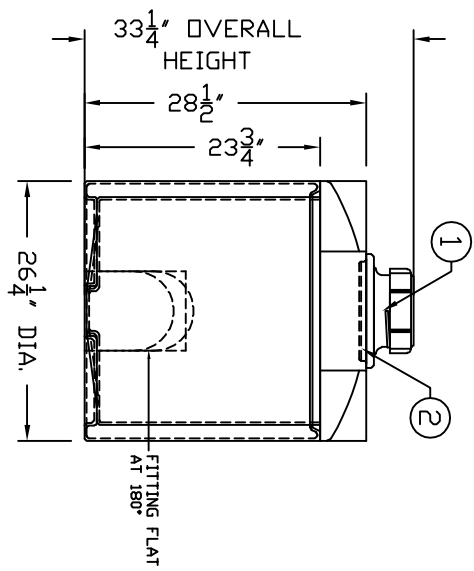
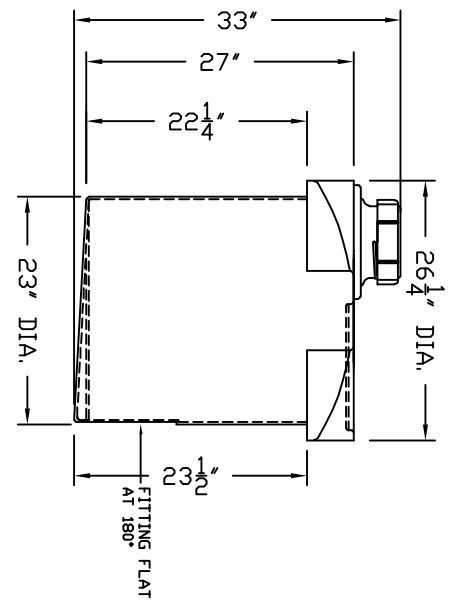
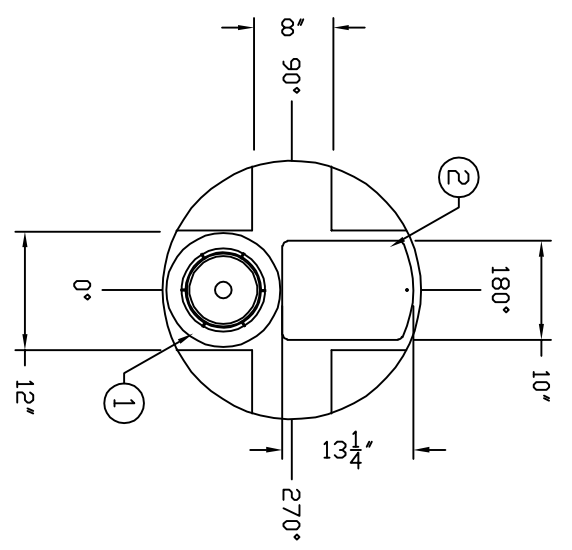


ACCESSORIES

MK	SIZE	DESCRIPTION	DEG	ELEV	DOME



- NOTES:
- 1 7" ACCESS W/ THREADED LID AND RIM
 - 2 MOLDED IN PUMP SHELF
 - 3 PRIMARY CALCULATED GALLONS PER INCH: 1.743 GPI
 - 4 CALCULATED STRAIGHT SIDE CAPACITY: 39653 SECONDARY CALCULATED GALLONS PER INCH: 2.257 GPI
 - 6 CALCULATED STRAIGHT SIDE CAPACITY: 5304 GAL.

REV	DESCRIPTION	REV DATE
B	UPDATE SIDEVIEW OF TANK TO SHOW FTG FLAT AT 180°	1/18/25 JL
A	TURND THE TANK 180° SO THE ACCESS IS AT 0°	6/11/08 MG
	REVISION DESCRIPTION	
	UNKNOWN	

<p>CORPORATION OF AMERICA 300 N TAYLOR ROAD GARRETT, IN 46738 PHONE: (260) 357-3181 FAX: (260) 357-3738</p>	<p>CUSTOMER APPROVAL</p> <p>DESIGN BY: J. MYERS DRAWN DATE: 10/22/03 DWG NUMBER: IMT40 B</p>
---	--

RESIN USED	TANK TYPE	SP.G. MAX	RESIN USED	TANK TYPE	SP.G. MAX
PRIMARY VESSEL	NATURAL	- LBS.	SECONDARY VESSEL	NATURAL	- LBS.

POLYETHYLENE	POLYETHYLENE	TITLE: IMT 40 GAL.
DOUBLE WALL STORAGE TANK		

ALL DIMENSIONS ARE IN INCHES AND ARE ±3%