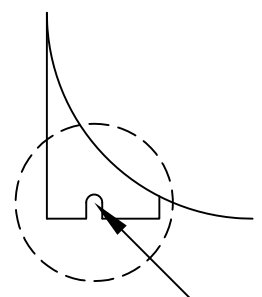
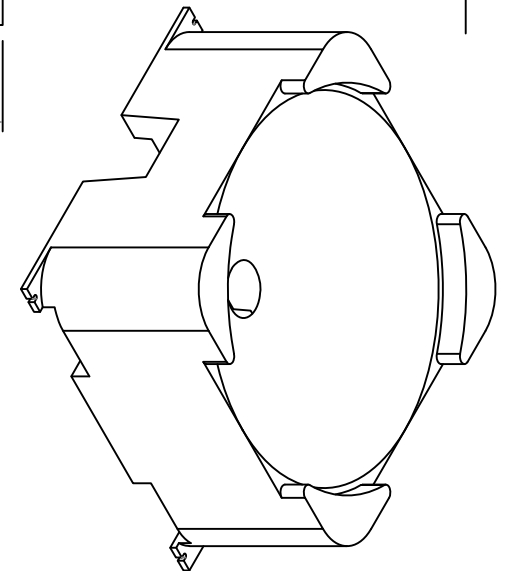
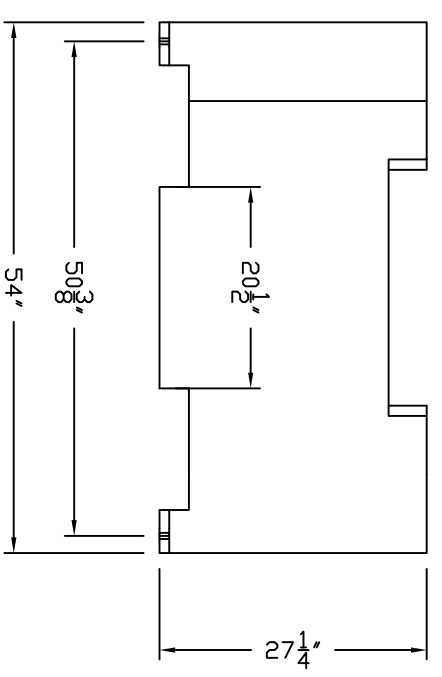
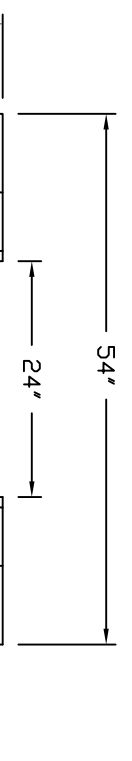


SEE ENLARGED  
OUTLET DETAIL  
"A" ABOVE



5/8" DIA X 3/4" SLOT  
FOR ANCHOR  
BOLT

**A** ENLARGED DETAIL  
DETAIL OF BOLT ANCHOR



REV	REVISION DESCRIPTION	REV DATE

CORPORATION OF AMERICA		CORPORATION OF AMERICA	
TITLE POLYETHYLENE CONICAL TANK STAND FOR ICB 560GAL - 54" DIA.		300 N TAYLOR ROAD GARRETT, IN 46738 PHONE: (260) 357-3181 FAX: (260) 357-3738	
ASSMANN CORPORATION OF AMERICA		SALES ORDER	
DRAWN BY: VBANGERT DATE: 4/24/17		REV: -	
DWG NUMBER: APCSS560		REV: -	