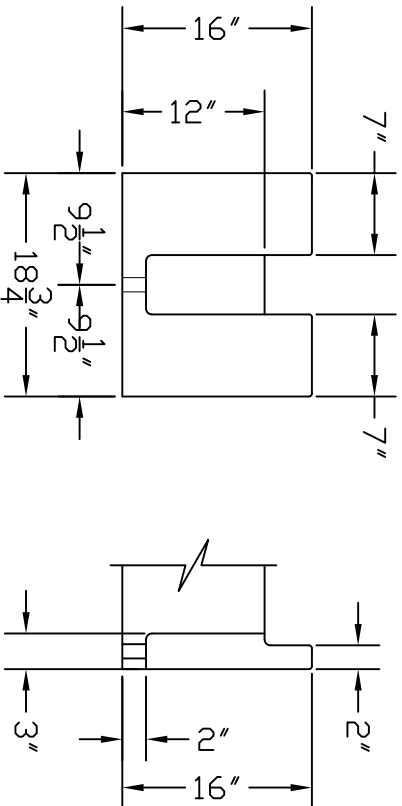
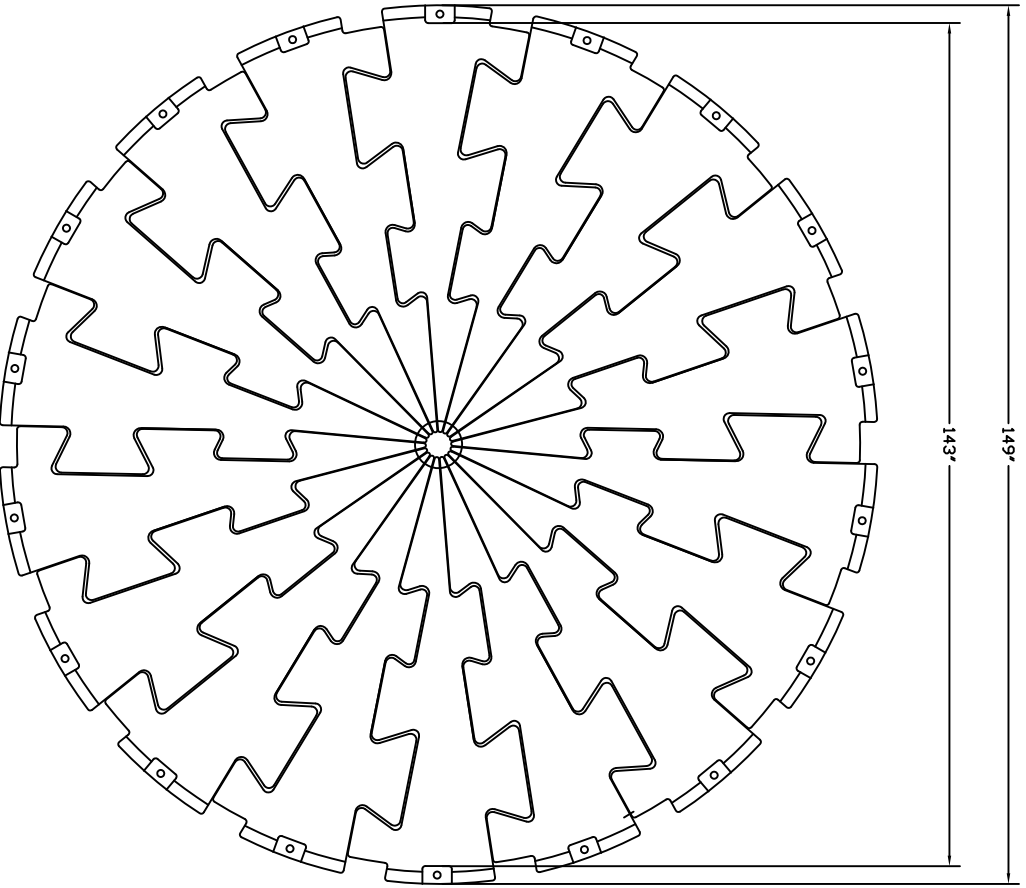
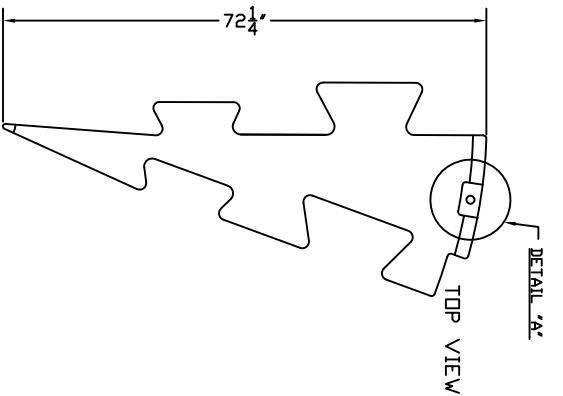
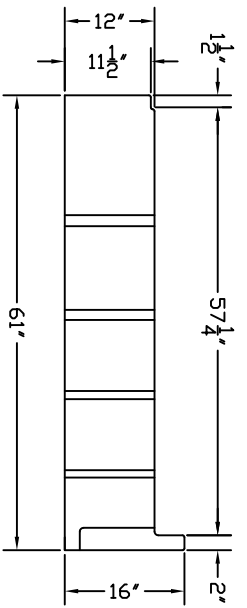
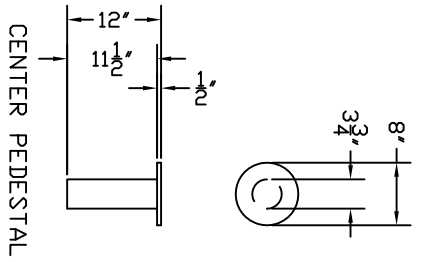


STAND CONSTRUCTION:
 LINEAR POLYETHYLENE
 COLOR: BLACK



ACCESSORIES	
MK	DESCRIPTION
QTY	SIZE

REV	REVISION DESCRIPTION	REV DATE
1	ISSUED FOR CONSTRUCTION	3/27/14
2	REVISED TO SHOW 143" DIA TANKS AND SMALLER	3/27/14

Corporation of America
 300 N TAYLOR ROAD
 GARRETT, IN 46738
 PHONE: (650) 357-3181
 FAX: (650) 357-3738

SALES ORDER
 DRAWN BY: RND/WLSDN
 CHECKED BY: RND/WLSDN
 DATE: 3/27/14
 DWG NUMBER: FDDTS143
 REV: Ø