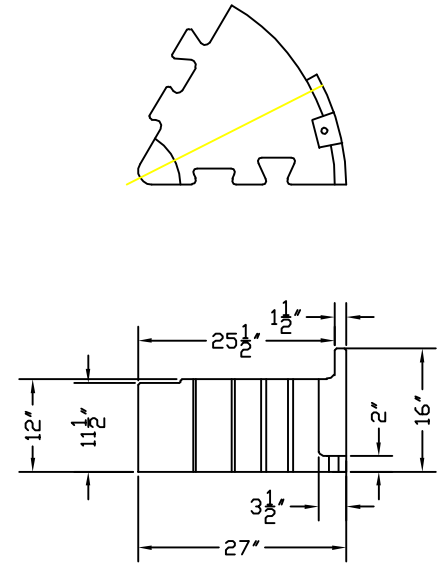
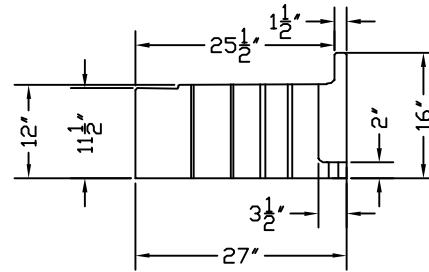
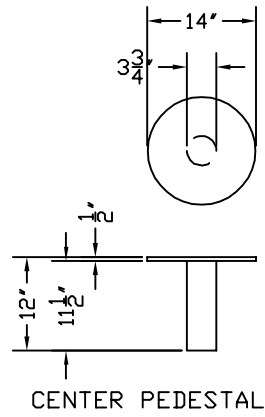
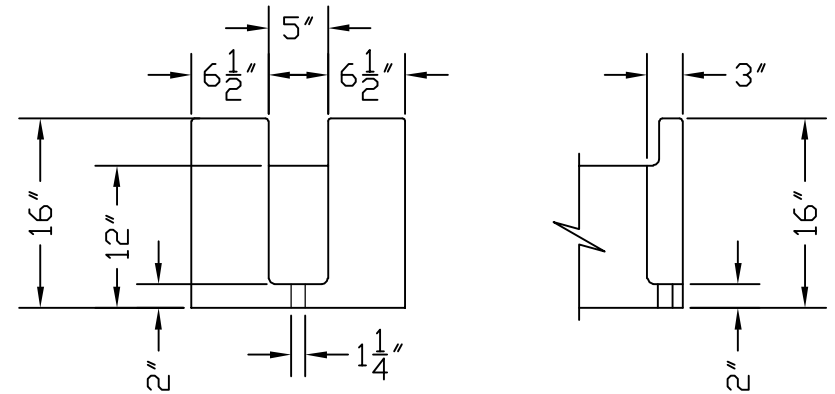
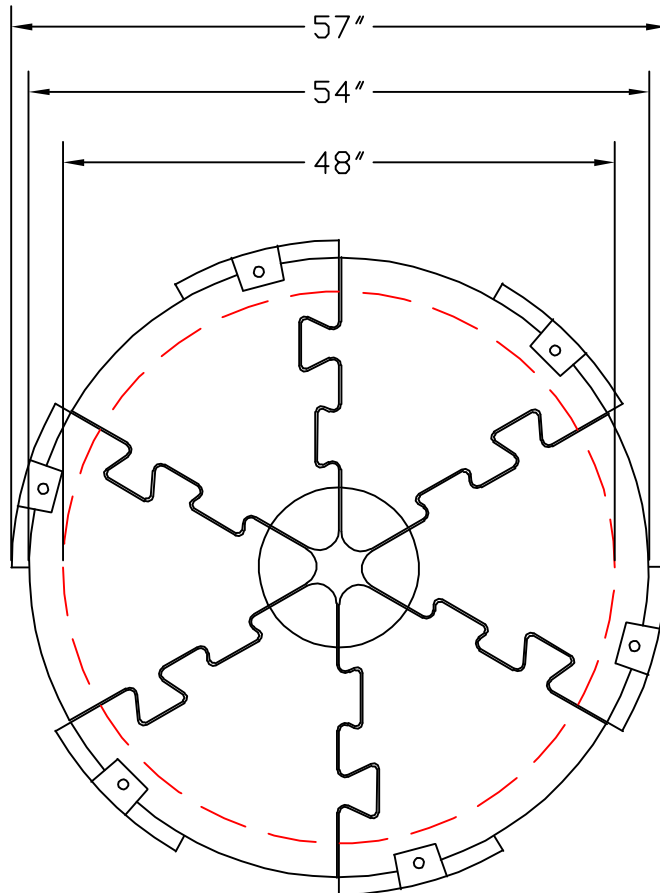


STAND CONSTRUCTION:  
 LINEAR POLYETHYLENE  
 COLOR: BLACK




TOP VIEW



DETAIL "A"

ACCESSORIES			
MK	QTY	SIZE	DESCRIPTION

REV	REVISION DESCRIPTION	REV DATE
	 <b>Acorn</b> CORPORATION OF AMERICA 300 N TAYLOR ROAD GARRETT, IN 46738 PHONE: (260) 357-3181 FAX: (260) 357-3738	SALES ORDER DRAWN BY: <b>SROWLISON</b> DRAWN DATE: <b>3/5/2019</b>
TITLE <b>MODULAR POLYETHYLENE TANK STAND            FOR 48" DIA TANKS AND SMALLER</b>		DWG NUMBER: <b>FDOTS48</b>
		REV <b>Ø</b>