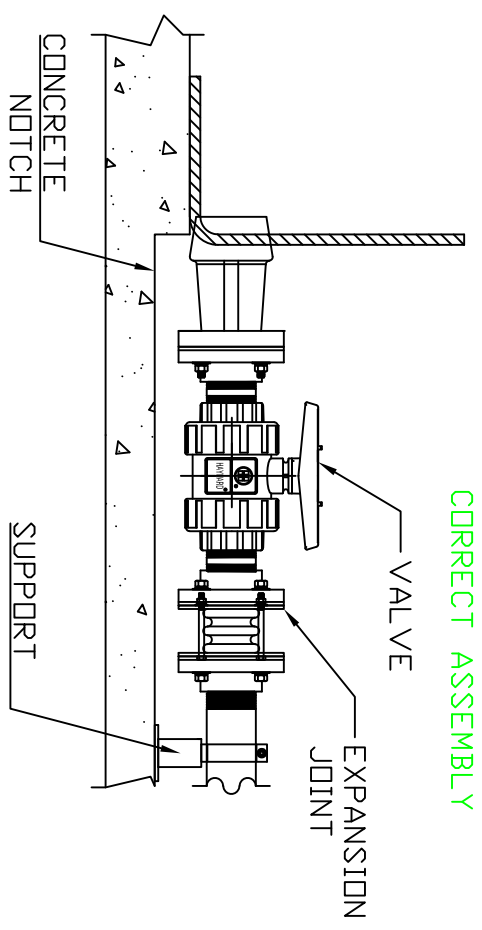
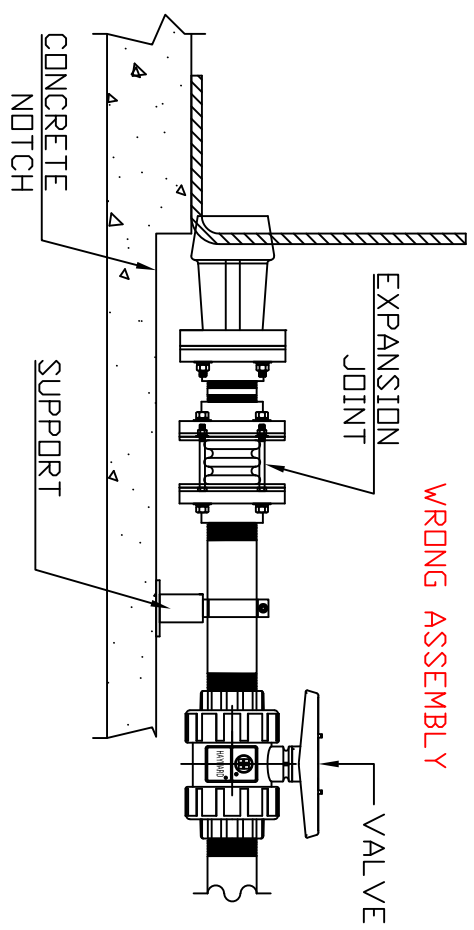
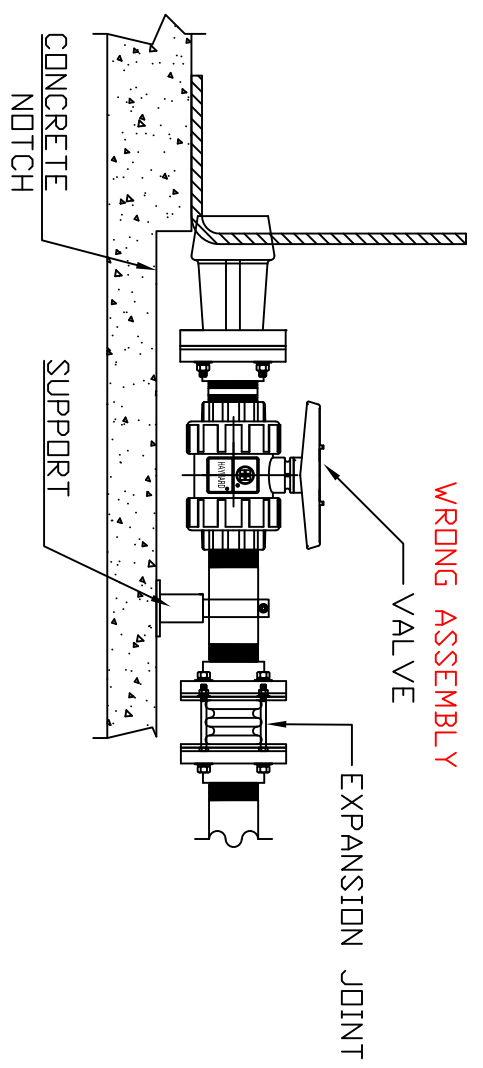


ACCESSORIES	
MK	DESCRIPTION
QTY	SIZE



TANK ISOLATION VALVE SHOULD BE INSTALLED DIRECTLY AFTER TANK WALL CONNECTION. EXPANSION JOINT SHOULD BE INSTALLED AFTER ISOLATION VALVE. PIPING NEEDS TO BE SUPPORTED AFTER EXPANSION JOINT TO ALLOW TANK TO MOVE WITHOUT RESTRICTIONS

REV	A	CORRECTED VIEW ON CONCRETE	3/1/17SR
REV		REVISION DESCRIPTION	REV DATE
		SALES ORDER	
300 N TAYLOR ROAD GARRETT, IN 46728 PHONE: (260) 357-3181 FAX: (260) 357-3798		BRAUN, JR. SR/DVL/SDN 6/10/15	
TITLE FLEXIBLE EXPANSION JOINT ASSEMBLY DETAIL (FDD TANKS)		DWG NUMBER: FEJ-FDD	
		REV A	