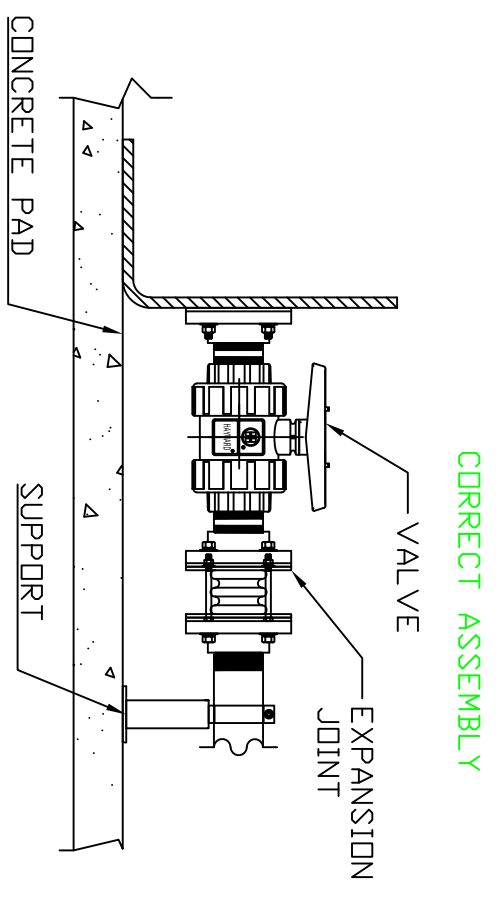
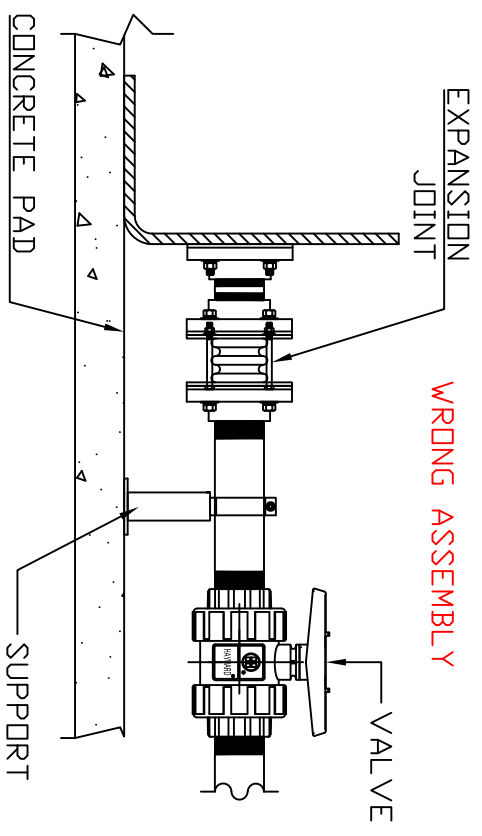
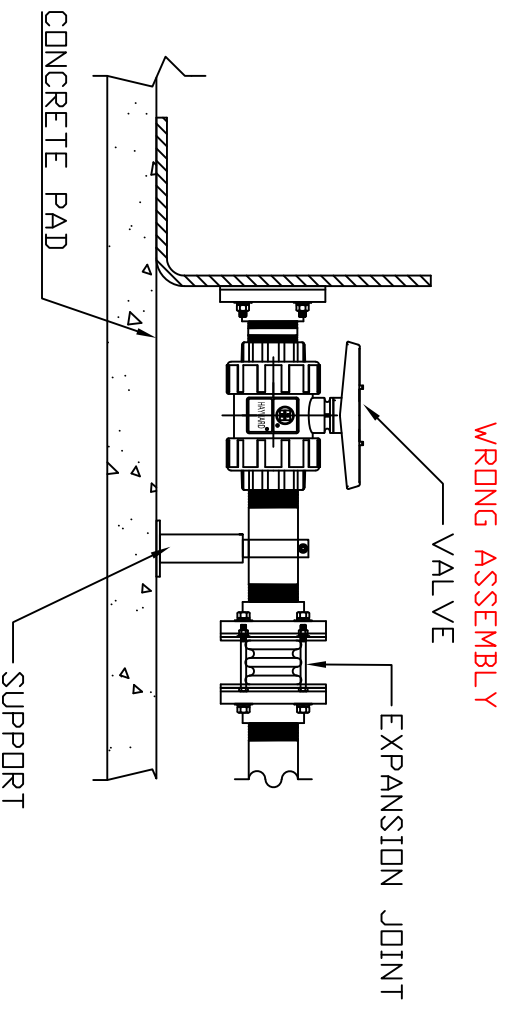


ACCESSORIES	
MK	DESCRIPTION
QTY	SIZE



TANK ISOLATION VALVE SHOULD BE INSTALLED DIRECTLY AFTER TANK WALL CONNECTION. EXPANSION JOINT SHOULD BE INSTALLED AFTER ISOLATION VALVE. PIPING NEEDS TO BE SUPPORTED AFTER EXPANSION JOINT TO ALLOW TANK TO MOVE WITHOUT RESTRICTIONS

REV	REVISION DESCRIPTION	REV DATE

 Lomaqua CORPORATION OF AMERICA	300 N TAYLOR ROAD GARRETT, IN 46738 PHONE: (260) 357-3181 FAX: (260) 357-3798
TITLE FLEXIBLE EXPANSION JOINT ASSEMBLY DETAIL (FLANGE CONNECTIONS)	SALES ORDER BRANN, BR MCDUBS 5/3/2016 DWG NUMBER: FEJ-FF001