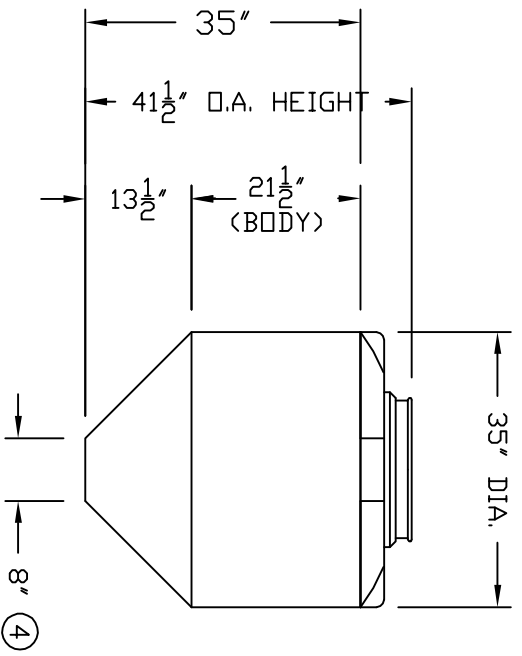
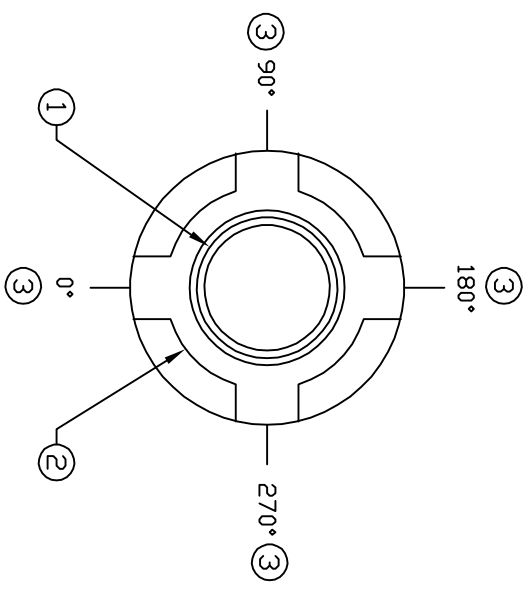


ACCESSORIES					
MK	SIZE	DESCRIPTION	DEG	ELEV	DOME
A	16"	MANWAY W/ LEVER LOCKING COVER	0°	-	X



- NOTES:
1. 16" MANWAY WITH LEVER LOCKING COVER
 2. MANWAY FLAT 26" DIAMETER
 3. UPPER FITTING FLATS 8" X 8" (4 PLACES)
 4. CONE FITTING FLAT 8" DIA.
 5. 4.04 GALLONS PER INCH (STRAIGHT SIDE)
 6. 18.20 GAL CONE CAPACITY (FOR REF ONLY)

REV	REVISION DESCRIPTION	REV DATE

		300 N TAYLOR ROAD GARRETT, IN 47238 PHONE: (560) 357-3181 FAX: (560) 357-3738	
CORPORATION OF AMERICA		POLYETHYLENE TANK RESISTED SPECIFIC GRAVITY - SP.G. MAX	
TITLE ICB 100 GALLON CONICAL BOTTOM STORAGE TANK		TANK WEIGHT - LBS. TANK COLOR - DIVG NUMBER ICB 100 REV -	
DRAWN BY D. PARRETT	REVISION DATE 8/26/14	CUSTOMER ASSMANN CORPORATION	RESIN USED -
ALL DIMENSIONS ARE IN INCHES AND ARE ±3%			