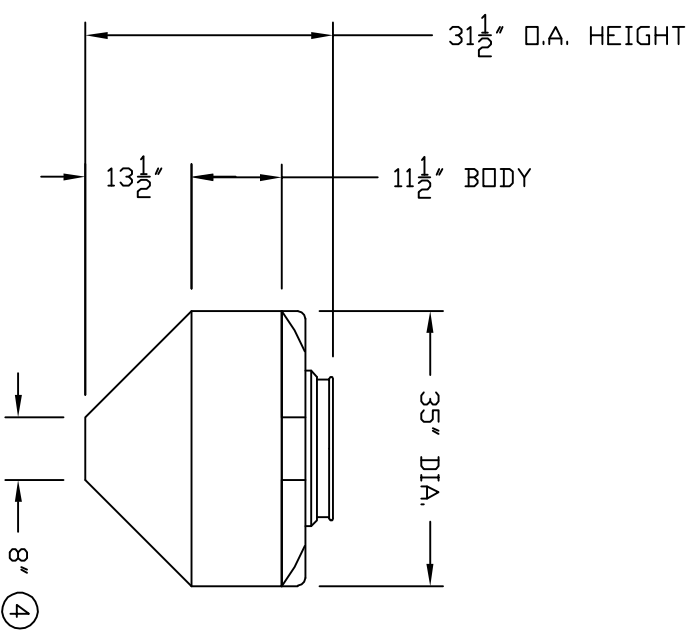
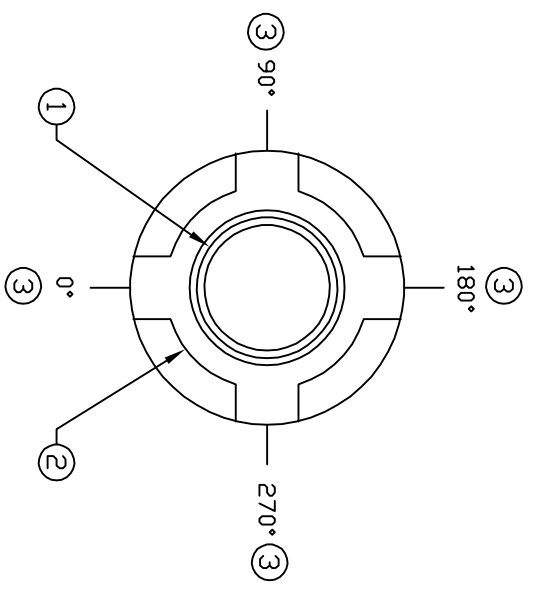


ACCESSORIES					
MK	SIZE	DESCRIPTION	DEG	ELEV	DOME
A	16"	MANWAY W/ LEVER LOCKING COVER	0°	-	X



NOTES:

1. 16" MANWAY WITH LEVER LOCKING COVER
2. MANWAY FLAT 26" DIAMETER
3. UPPER FITTING FLATS 8" X 8" (4 PLACES)
4. CONE FITTING FLAT 8" DIA.
5. 4.04 GALLONS PER INCH (STRAIGHT SIDE)
6. 18.20 GAL CONE CAPACITY (FOR REF ONLY)

REV	REVISION DESCRIPTION	REV DATE

Assmann
CORPORATION OF AMERICA

300 N TAYLOR ROAD
DUNFORD, PA 15116
PHONE: (412) 837-3181
FAX: (412) 837-3738

TITLE	ICB 60 GALLON CONICAL BOTTOM STORAGE TANK	RESIN USED	POLYETHYLENE
DESIGNED BY	D. PARRETT	TANK DESIGNED SPECIFIC GRAVITY	SP.G. MAX
DATE	8/26/14	TANK WEIGHT	- LBS.
ASSMANN CORPORATION		DWG NUMBER	ICB 60
		REV	-

ALL DIMENSIONS ARE IN INCHES AND ARE ±3%