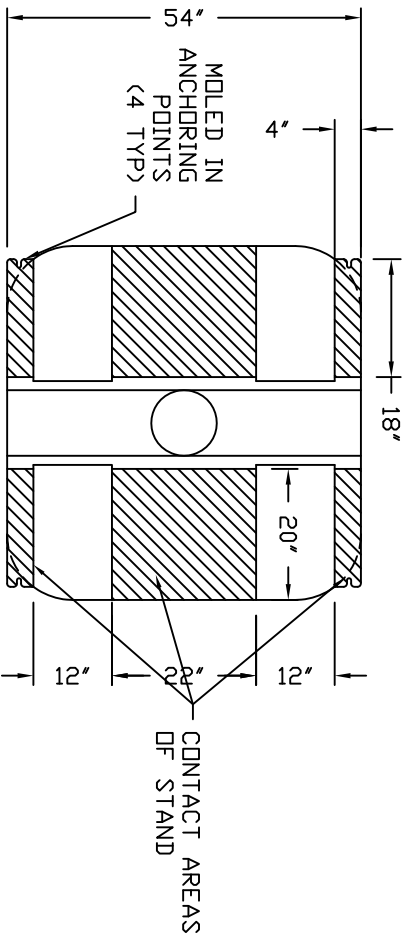
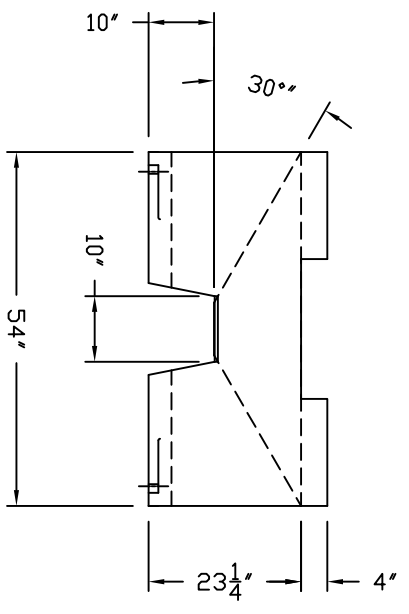
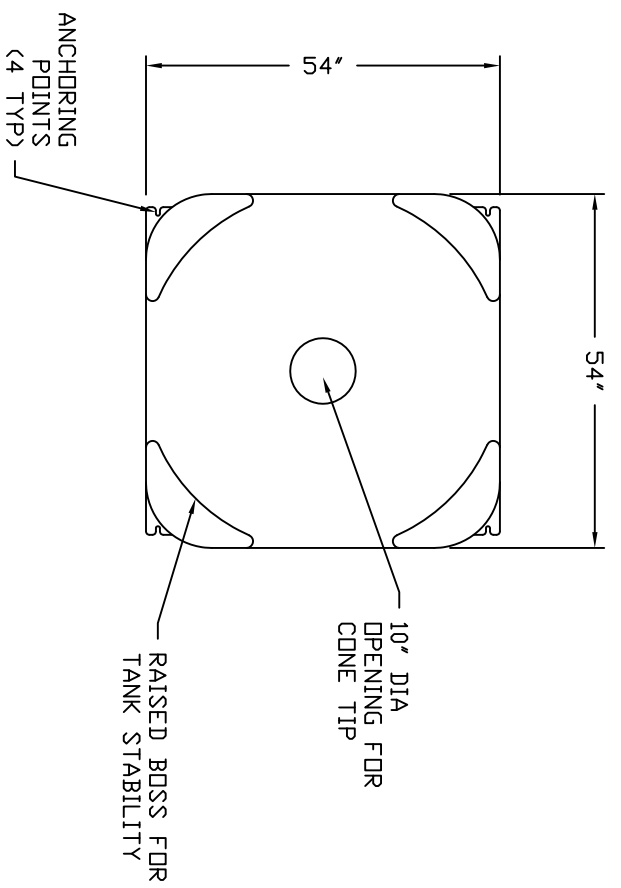
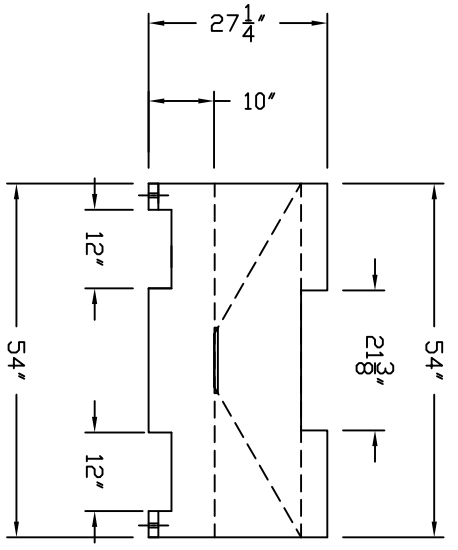


ACCESSORIES	
MK	SIZE
DESCRIPTION	DEG ELEV DOME



NOTES:
 1 STAND IS CONSTRUCTED OF POLYETHYLENE
 2 STAND IS FILLED WITH URETHANE FOAM



REV	REVISION DESCRIPTION	REV DATE
<p>300 N TAYLOR ROAD GARRETT, IN 46728 PHONE: (260) 357-3181 FAX: (260) 357-3739</p>		
<p>TITLE: ICS 560 FOAM FILLED POLYETHYLENE TANK STAND</p>		
DESIGNED BY	CHECKED BY	DATE
REVISED BY	DATE	
RESIN USED	TANK RESIGNED	SP.G. MAX
	SPECIFIC GRAVITY	- LBS.
TANK WEIGHT		
TANK ORDER		
DWG NUMBER:	ICS 560	REV
		Ø

ALL DIMENSIONS ARE IN INCHES AND ARE ±3%