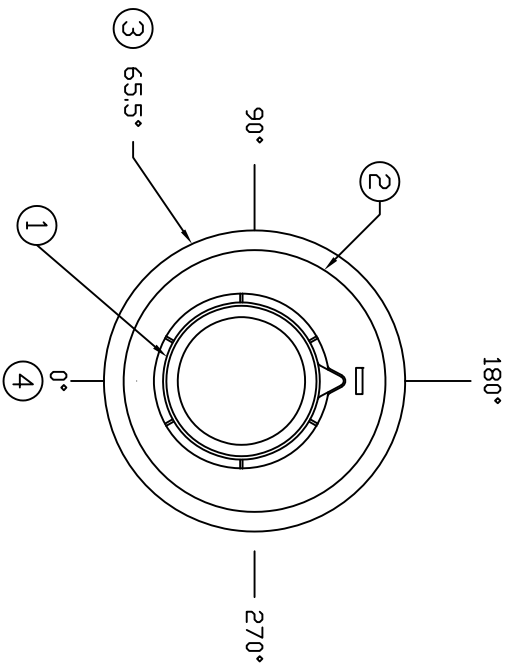
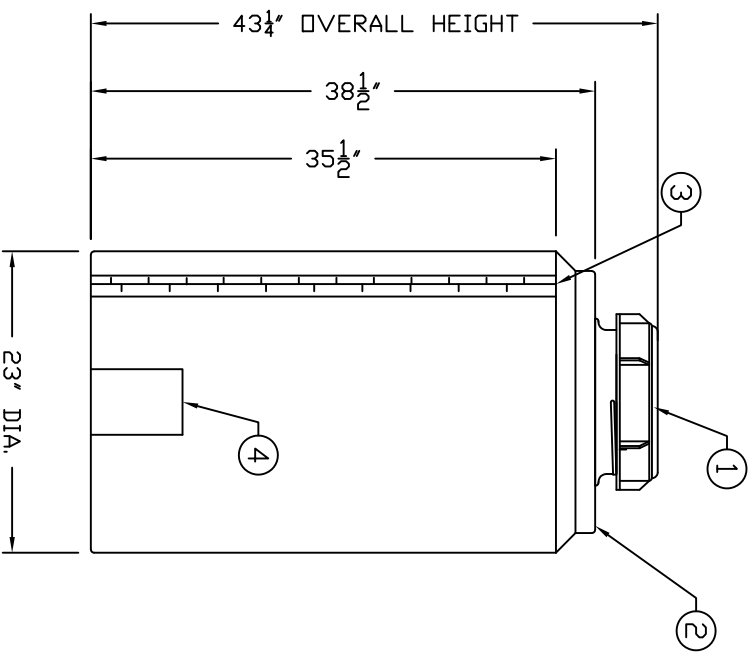


ACCESSORIES			
MK	SIZE	DESCRIPTION	DEG ELEV DOME



- NOTES:
- 1 11" MANWAY W/ THREADED CAP
  - 2 20" DIA. MANWAY FLAT
  - 3 MOLDED IN VOLUME MARKER (5 GAL. INCREMENTS)
  - 4 5" x 7" LOWER FITTING FLAT



REV	REVISION DESCRIPTION	REV DATE
-----	----------------------	----------

**Ice Lomman**  
CORPORATION OF AMERICA

300 N TAYLOR ROAD  
GARRETT, IN 46728  
PHONE: (260) 357-3181  
FAX: (260) 357-3739

TITLE: ICT 60 (11) GALLON  
VERTICAL STORAGE TANK

RESIN USED: POLYETHYLENE  
TANK DESIGNED: S.P.G. MAX  
SPECIFIC GRAVITY: LBS.

DESIGNED BY:	DRAWN DATE:	SALES ORDER:	TANK WEIGHT:	DWG NUMBER:	REV
				ICT0060 (11)	-

ALL DIMENSIONS ARE IN INCHES AND ARE ±3%