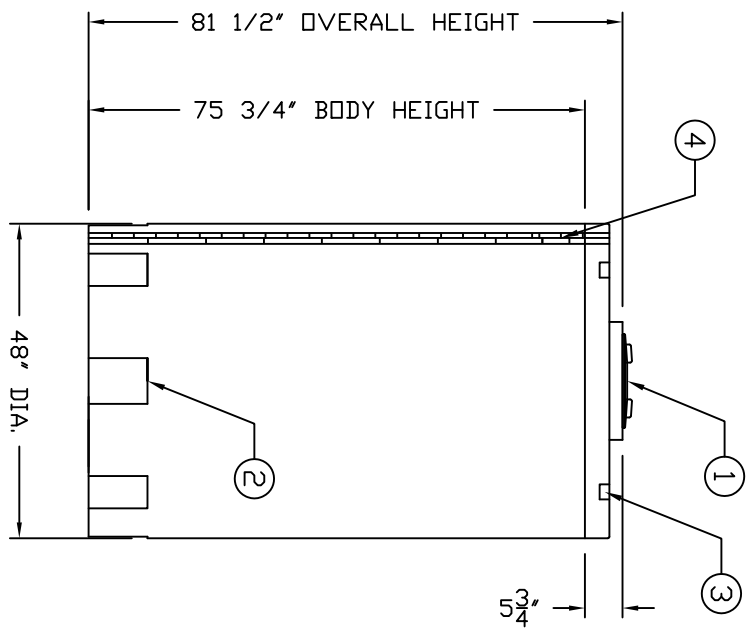
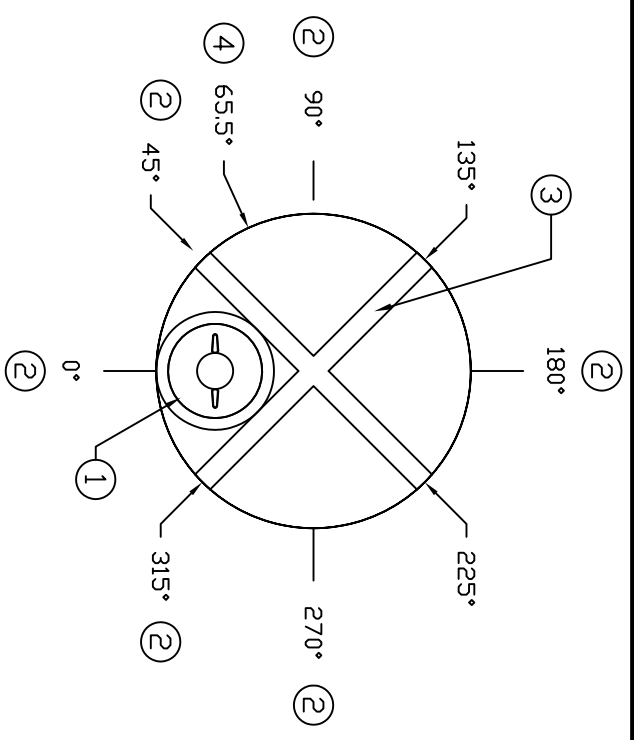


ACCESSORIES					
MK	SIZE	DESCRIPTION	DEG	ELEV	DOME
-	-	-	-	-	-



- NOTES:
- 1 1 1/4" THREADED LID AND RIM
 - 2 7" x 9" LOWER FLATS (TYP. 6 PLACES)
 - 3 3 1/4" W x 1 1/2" DEEP STIFFNER RIB (2 PLACES)
 - 4 MOLDED IN VOLUME MARKER (25 GAL. INCREMENTS)

REV	REVISION DESCRIPTION	REV DATE

		300 N TAYLOR ROAD GARRETT, IN 46728 PHONE: (260) 357-3181 FAX: (260) 357-3738	
TITLE: IFT 600 GALLON FLAT TOP VERTICAL STORAGE TANK		POLYETHYLENE TANK RESISTED SPECIFIC GRAVITY	
DRAWN BY: SRU/WJL/SJN CHECKED BY: SRU/WJL/SJN DATE: 5/22/15		SALES ENGINEER ASSMANN CORPORATION	
RESIN USED:	POLYETHYLENE	TANK WEIGHT:	LBS.
DWG NUMBER:	IFT 600	REV:	Ø

ALL DIMENSIONS ARE IN INCHES AND ARE ±3%