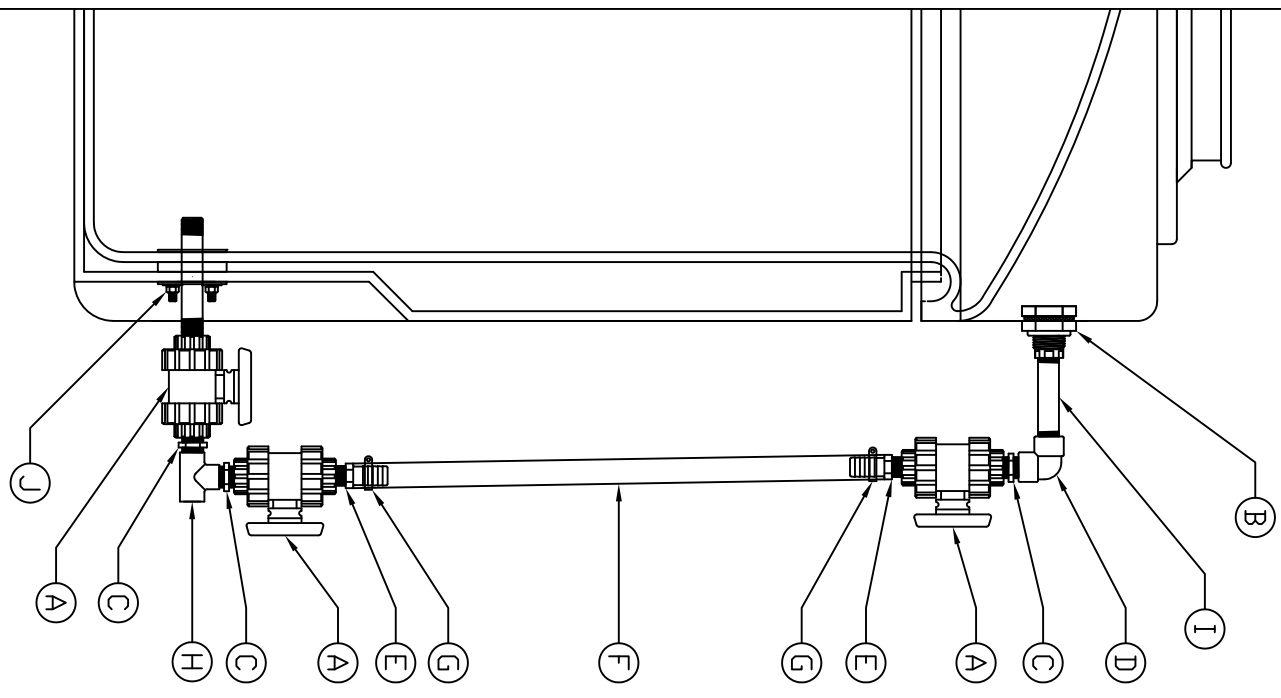


ACCESSORIES	
MK	DESCRIPTION
A	3 3/4" PVC SCH. 80 BALL VALVE W/ EPDM (STANDARD)
B	1 3/4" PVC SCH. 80 BULKHEAD FITTING W/ EPDM (STANDARD)
C	3 3/4" PVC SCH. 80 THREADED NIPPLES (STANDARD)
D	1 3/4" PVC SCH. 80 90° ELBOWS (STANDARD)
E	2 3/4" PP MALE THRD X HOSE BARB
F	1 1" I.D. CLEAR FLEXIBLE PVC HOSE
G	2 1 1/2" STAINLESS HOSE CLAMPS
H	1 3/4" PVC SCH. 80 THREADED TEE (STANDARD)
I	1 3/4" X 4' PVC SCH. 80 THREADED NIPPLE
J	1 3/4" DOUBLE WALL METALLIC DOUBLE MALE FITTING WITH GASKET

NOTES:
 DUE TO VARIOUS TYPES OF FITTING REQUIREMENTS
 ALL TANK WALL FITTINGS ARE NOT INCLUDED WITH
 THIS ASSEMBLY. FITTINGS MUST BE ORDERED
 SEPARATELY.

MATERIALS:

- BULKHEAD FITTING:
- PVC CPVC POLYPROPYLENE
- NIPPLES, TEE, & ELBOW:
- PVC CPVC POLYPROPYLENE
- BALL VALVE:
- PVC CPVC POLYPROPYLENE
- VALVE SEAL:
- E.P.D.M. & VITON



REV	REVISION DESCRIPTION	REV DATE
SALES ORDER		
300 N TAYLOR ROAD GARRETT, IN 46728 PHONE: (660) 357-3181 FAX: (660) 357-3798		
TITLE: DOUBLE WALL TANK SIGHT GAUGE ASM. WITH THREE BALL VALVES		
BRANN, JN	BRANN DATE:	REV
SRDVLISDN	12/14/15	IMTSGA
DWG NUMBER:		Ø