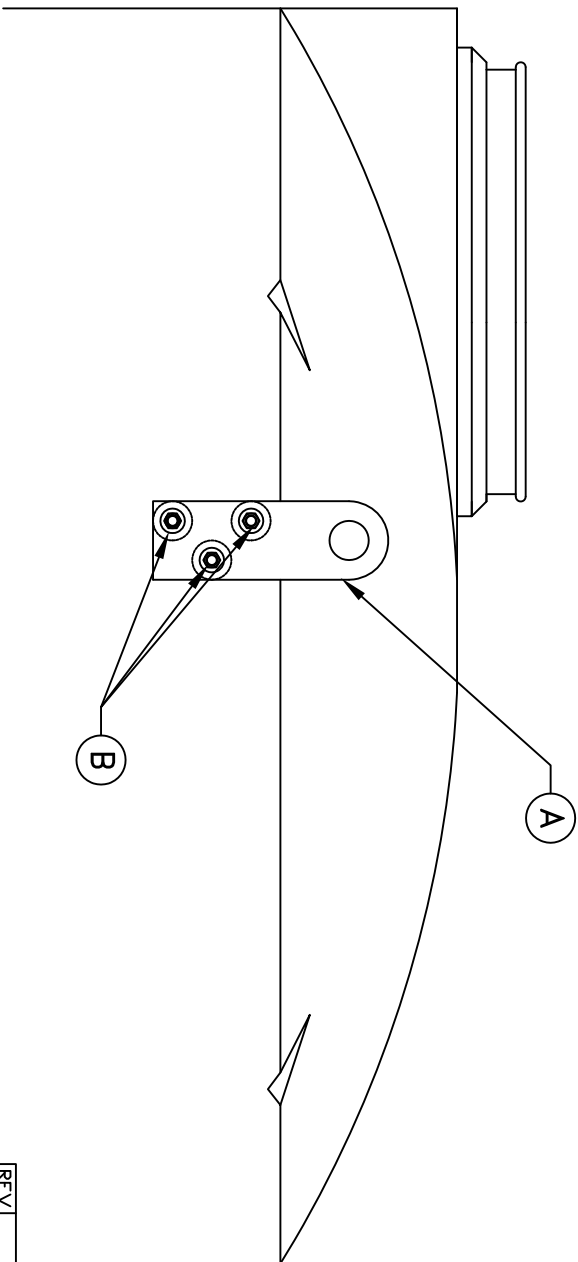
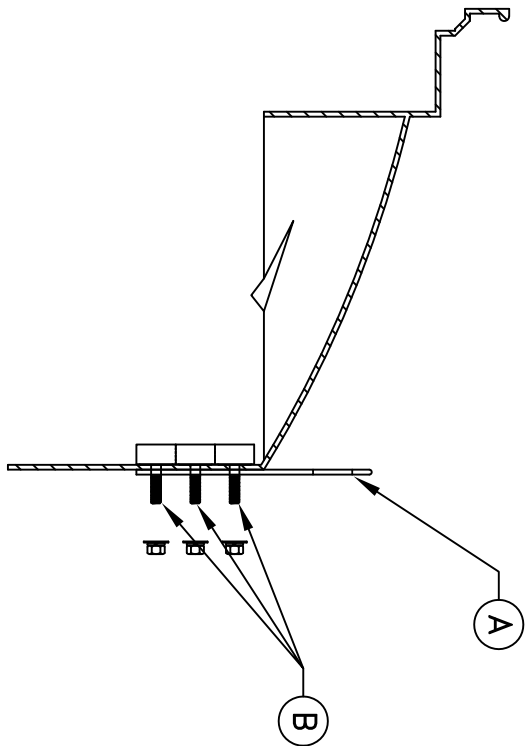




ACCESSORIES

MK	QTY	SIZE	DESCRIPTION
A	4	-	SIDE MOUNT LIFTING LUG CONSTRUCTED OF EITHER MILD STEEL EPDXY COATED DR 316 STAINLESS STEEL
B	12	-	ENCAPSULATED BOLTS, EITHER 316 STAINLESS STEEL/TITANIUM DR HASTELLOY, RUBBER ENCAPSULATION EITHER EPDM DR VITON



NOTES:
 1 LIFTING LUGS SET INCLUDES 4PCS EVENLY SPACED
 90° TYPICAL.

REV	REVISION DESCRIPTION	REV DATE

 CORPORATION OF AMERICA	 300 N TAYLOR ROAD GARRETT IN 46738 PHONE: (260) 357-3181 FAX: (260) 357-3728	SALES ORDER	REV DATE
		DRAWN BY: SRE/MLSDN	DRAWN DATE: 3/10/2000
TITLE: SIDE MOUNT LIFTING LUG ASSEMBLY		DWG NUMBER:	REV
L L 0 0 2			Ø