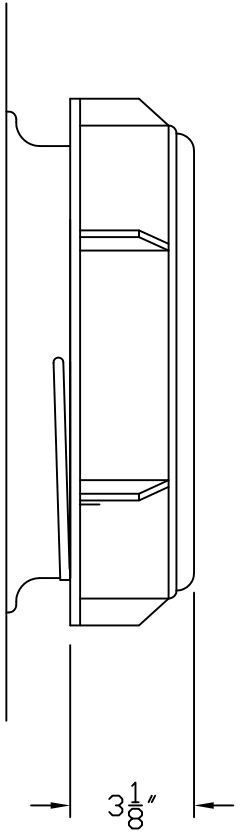
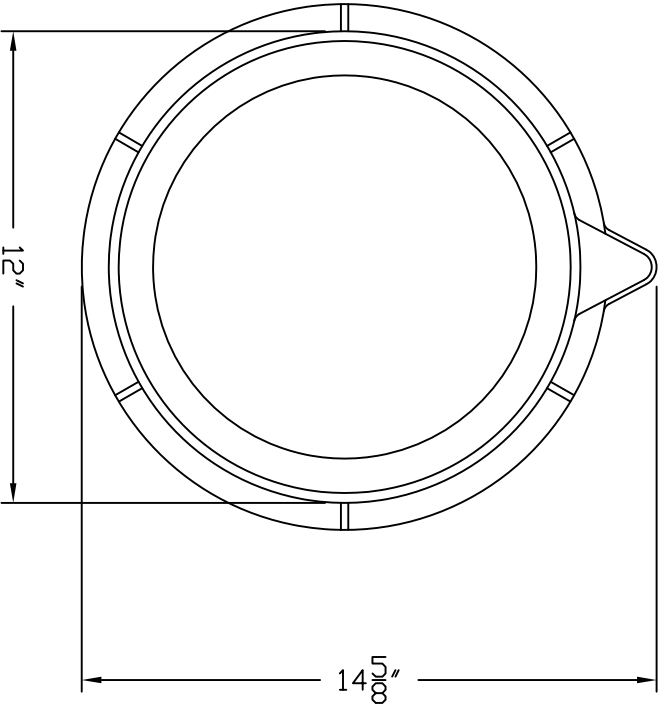



ACCESSORIES	
MK	DESCRIPTION
QTY	SIZE



PART # MK11

REV	REVISION DESCRIPTION	REV DATE
	SALES ORDER	
	 300 N TAYLOR ROAD GARRETT, IN 46728 PHONE: (260) 357-3181 FAX: (260) 357-3738	
	DRAWN BY: J. WILKINS DATE: 4/21/09	
	TITLE: 11" THREADED CAP WITH GASKET	
	DWG NUMBER:	
	MK11	
	REV	-