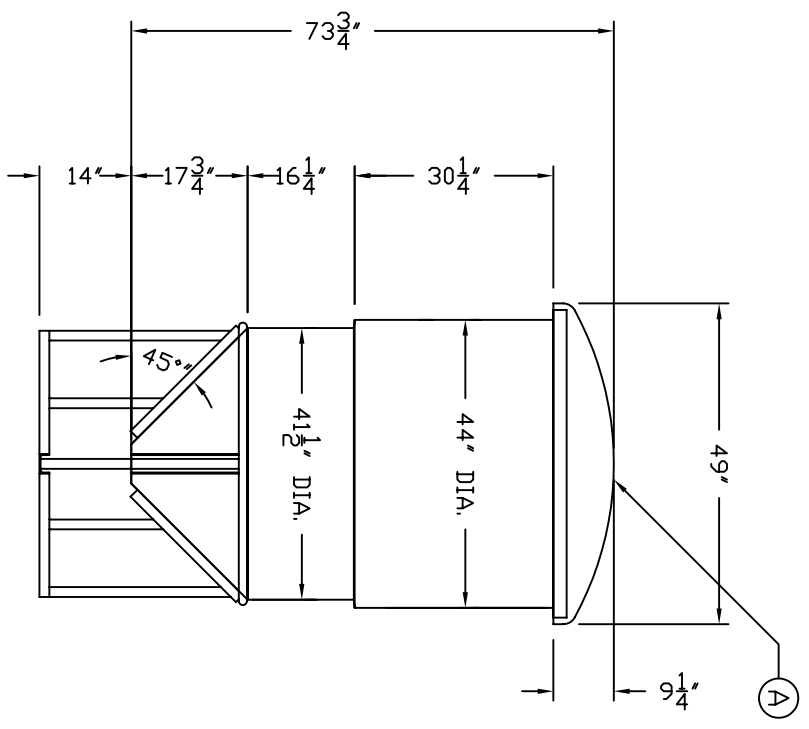
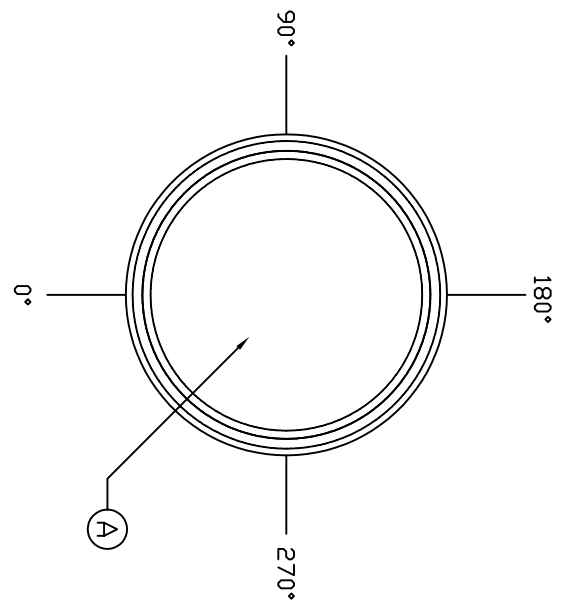


ACCESSORIES					
MK	SIZE	DESCRIPTION	DEG	ELEV	DOME
A	-	OPEN TOP COVER	-	-	X



- NOTES:
- 1 LOCATE FITTINGS FROM PLAN VIEW.
 - 2 TANK(S) MUST BE INSTALLED PER ASSMANN CORPORATION USAGE & GUIDELINES.
 - 3 FLEXIBLE EXPANSION JOINTS MUST BE USED ON ALL SIDEWALL CONNECTIONS.
 - 4 TANKS ARE BUILT PER ASTM D 1998.

REV	DESCRIPTION	REV DATE
A	UPDATED THE TITLE BLOCK	11/24/08 MG

Assmann
CORPORATION OF AMERICA

300 N TAYLOR ROAD
GARRETT, IN 46728
PHONE: (260) 357-3181
FAX: (260) 357-3728

TANK RESIN USED: POLYETHYLENE
TANK SPECIFIC GRAVITY: -
S.P.G. MAX

TITLE	DTCB 300 GAL. CONICAL BOTTOM STORAGE TANK	DWG NUMBER	DTCB 300
DESIGNED BY	D. CRAIGER	DATE	08/13/98
SALES ENGINEER	ASSMANN CORPORATION OF AMERICA	REV	A

ALL DIMENSIONS ARE IN INCHES AND ARE ±3%